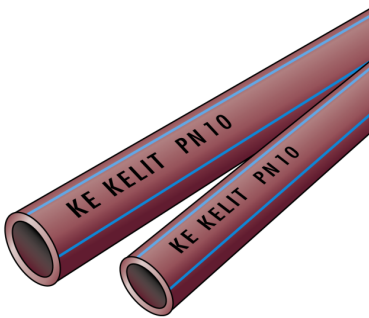


KETRIX

TRI02 KETRIX industrial pipe - PN10 90x8.2

55002K00

Areas of application



KETRIX industrial piping system based on ÖNORM EN ISO 15874 made of polyolefin blend (POB) for COOLING WATER and COLD

Application area: 20°C/10 bar, from -30°C to +30°C/8 bar

Colour: burgundy with 3 co-extruded blue longitudinal lines

Length: 4m

Specifications

Article information

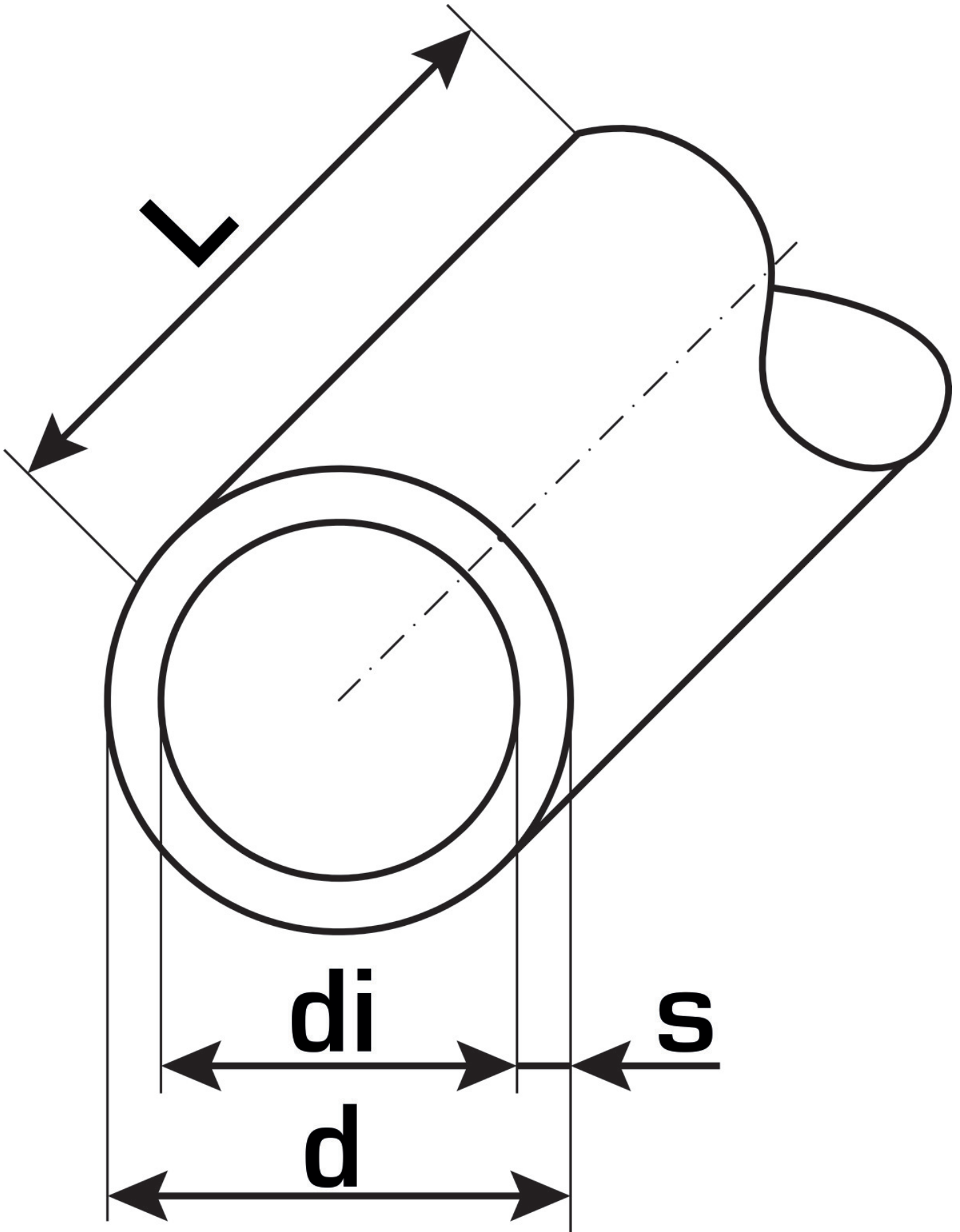
port 1	Pipe end
port 2	Pipe end
color	Burgundy

Technical properties

pipe weight	2,03 kg/m
pipe contents	4,25 l/m
PN	PN 10
lambda pipe	0,24 W/(m.K)
wall rawness	0,007 mm
expansion coefficient	0,14 mm/(m.K)

Product information

DIM2	73,6
VPE1	4,00 BND
L	4 m
weight	2,065 KGM
text	KETRIX industrial pipe - PN10
INTRNR	39172290
main material group	KETRIX
material group	KETRIX pipes
code	TRI02



Art. No	label	d1 mm	pipe contents l/m	s mm
55002K00	90x8.2	90	4,25	8,2



KE KELIT GmbH

A 4020 Linz, Ignaz-Mayer-Straße 17, Austria, Europe

PHONE +43 (0) 50 779 **E-MAIL** office@kekelit.com

www.kekelit.com