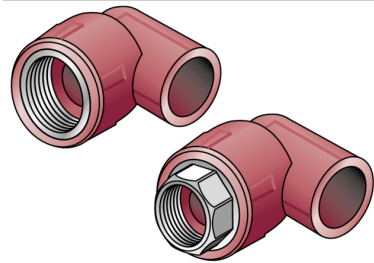


KETRIX

TRI23 KETRIX 90° adapter elbow with female thread 32x1"S

55216F05

Areas of application



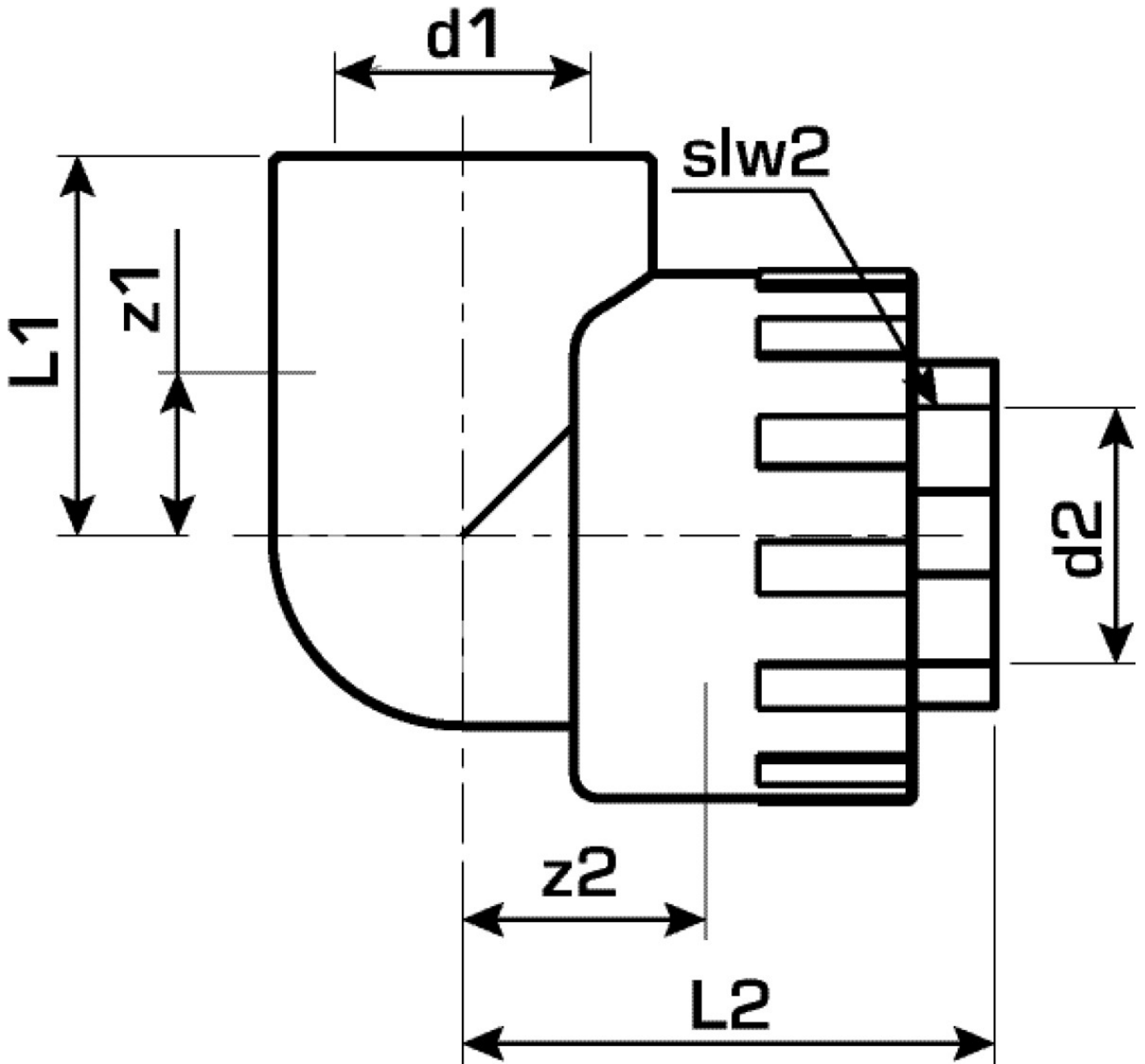
KETRIX polyfusion weld fitting for connecting POB pipes with fittings made of the same material without narrowing the cross-section, with injected male thread made of dezincification-resistant brass and non-porous metal-plating, thread conforms to ÖNORM EN 10226

System parts marked with an "S" are produced with a wrench attachment connection

Do NOT connect to threaded pipes or to cast iron fittings!

Specifications

Product information	
VPE1	5,00 SA1
VPE2	30,00 KT1
VPE3	120,00 KT2
VPE4	2880,00 PAL
weight	0,220 KGM
text	KETRIX 90° adapter elbow with female thread
INTRNR	39174000
main material group	KETRIX
material group	KETRIX metal fittings
code	TRI23



Art. No	label
55216F05	32x1"S