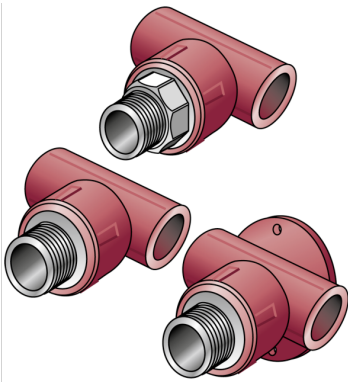


# KETRIX

## TRI31 KETRIX tee with male thread branch 20x1/2"

55218D02

### Areas of application



KETRIX polyfusion weld fitting for connecting POB pipes with fittings made of the same material without narrowing the cross-section, with injected male thread made of dezincification-resistant brass and non-porous metal plating, thread conforms to ÖNORM EN 10226

System parts marked with an "S" are produced with a wrench attachment connection

# Specifications

## Technical properties

**maximum working pressure at 20 ° C** 16 bar

## Product information

**VPE1** 10,00 SA1

**VPE2** 80,00 KT1

**VPE3** 320,00 KT2

**VPE4** 7680,00 PAL

**weight** 0,104 KGM

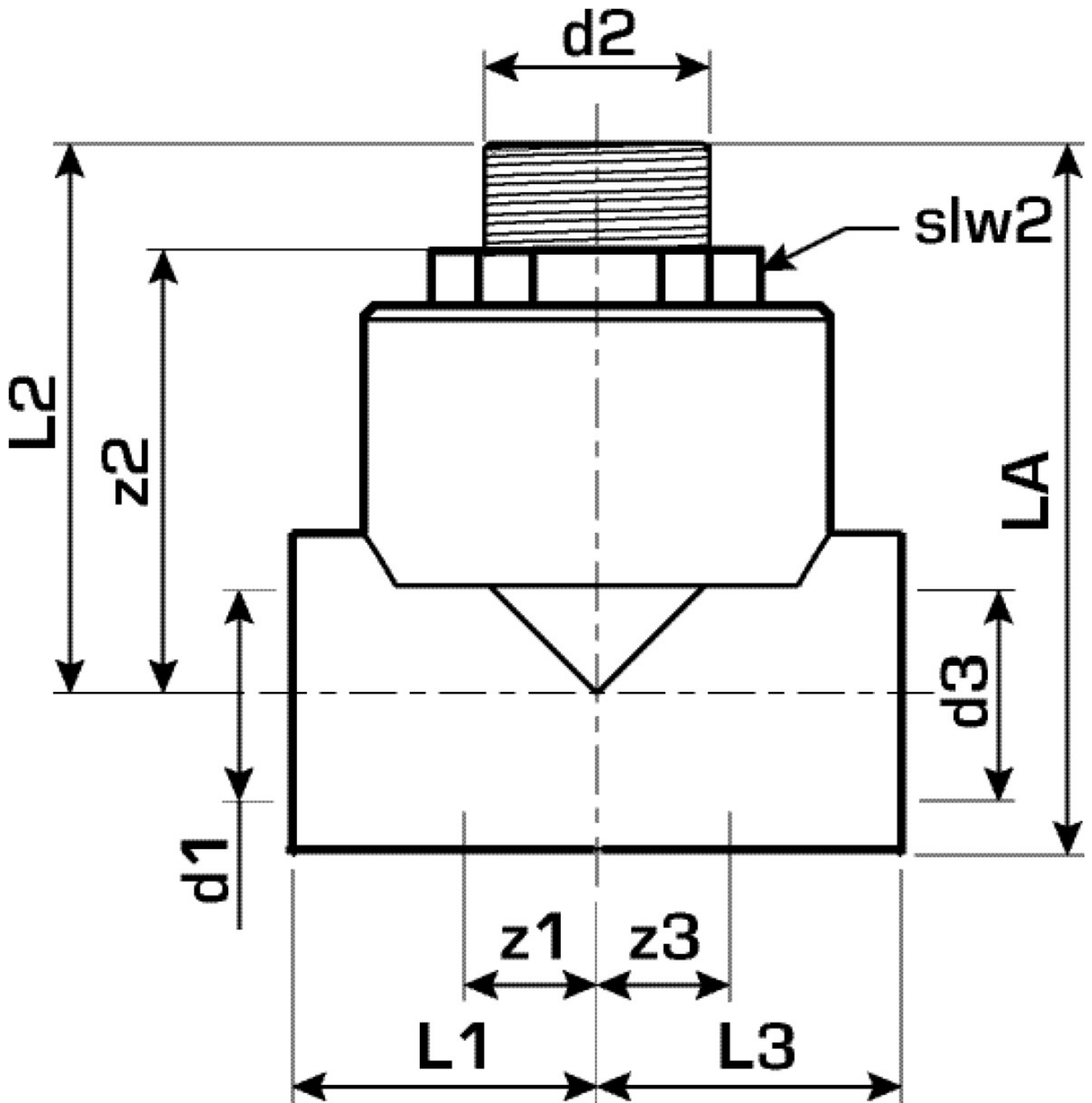
**text** KETRIX tee with male thread branch

**INTRNR** 39174000

**main material group** KETRIX

**material group** KETRIX metal fittings

**code** TRI31



Art. No	label
55218D02	20x1/2"