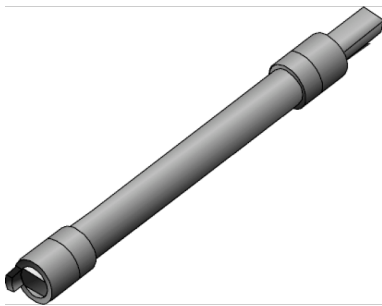


# KETRIX

## TRI51V KETRIX handle extension for TRI51P 40

55234G00

### Areas of application



KETRIX handle extension, comprising: handle coupling, shaft coupling and extension tube for cutting to length

Material: PVC

Length: max. 350mm

# Specifications

Product information	
VPE1	1,00 SA1
weight	0,091 KGM
text	KETRIX handle extension for TRI51P
INTRNR	39174000
main material group	KETRIX
material group	KETRIX metal fittings
code	TRI51V

Art. No	label
55234G00	40