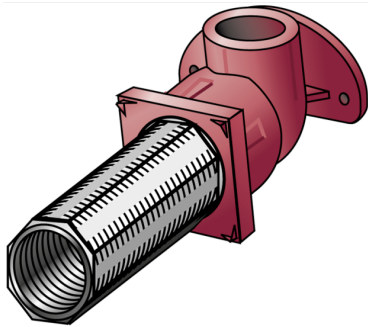


KETRIX

TRI83HA KETRIX hollow wall connection bracket 90° with female thread 20x1/2"x50

55204D02

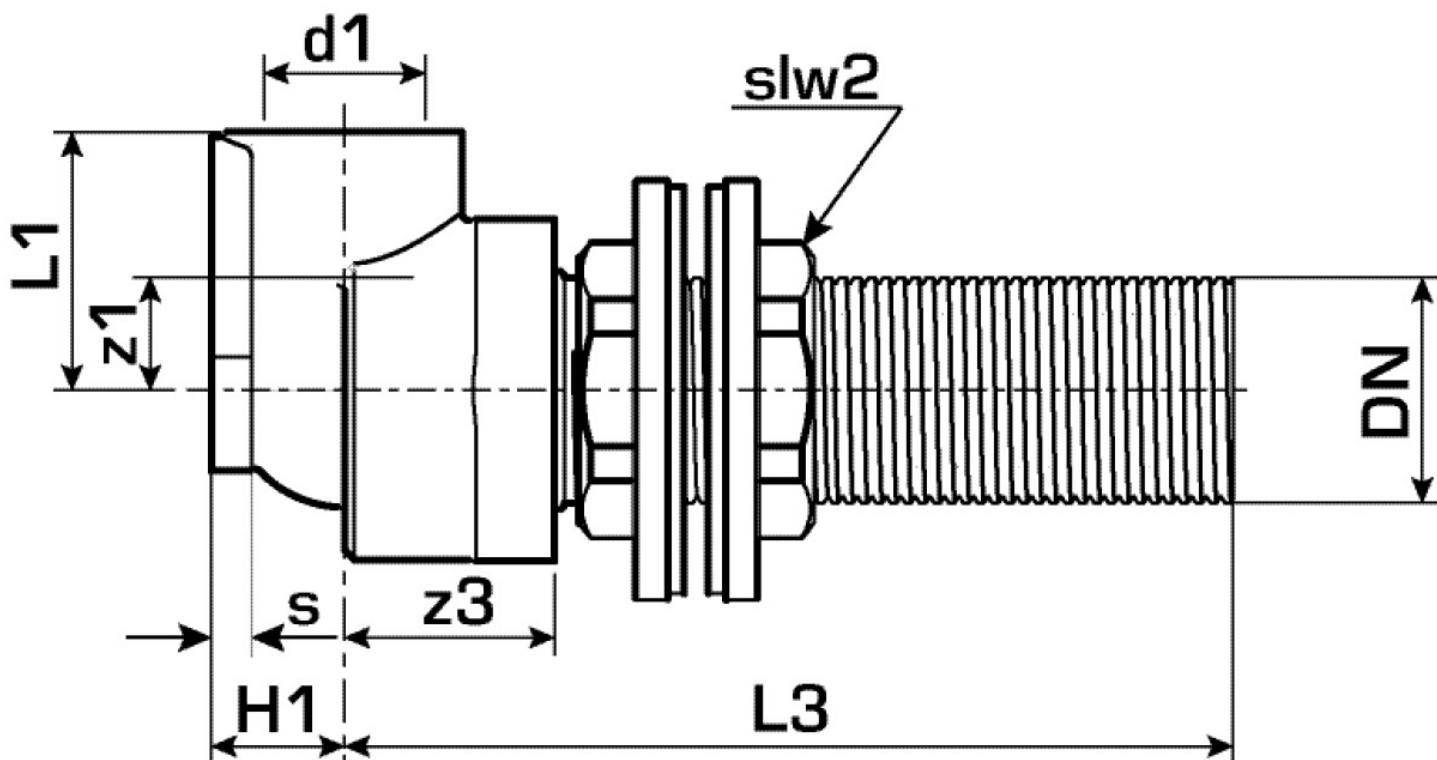
Areas of application



KETRIX polyfusion weld fitting for connecting POB pipes with fittings made of the same material without narrowing the cross section, with injected female thread made of dezincification-resistant brass and non-porous metal-plating, thread conforms to ÖNORM EN 10226, extended on the metal side by 50mm with M28mm male thread, octagonal version, seal and 2 lock nuts
Do NOT connect to threaded pipes or to cast iron fittings!

Specifications

| Product information | |
|---------------------|--|
| VPE1 | 5,00 SA1 |
| VPE2 | 30,00 KT1 |
| VPE3 | 120,00 KT2 |
| VPE4 | 2880,00 PAL |
| weight | 0,296 KGM |
| text | KETRIX hollow wall connection bracket 90° with female thread |
| INTRNR | 39174000 |
| main material group | KETRIX |
| material group | KETRIX metal fittings |
| code | TRI83HA |



| Art. No | label |
|----------|------------|
| 55204D02 | 20x1/2"x50 |