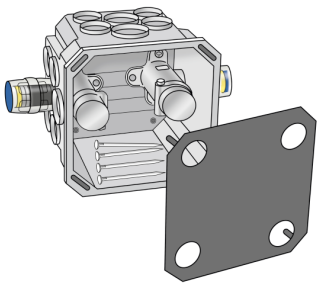


# CLIMATE FIX

## KCP558 CLIMATEFIX climate-hydraulic box 16

6353516

### Areas of application



Climate hydraulic box for subsequent hydraulic connection of ceiling panels to the heating or cooling system

Climate hydraulic box consisting of:

Plastic box for wood and steel formwork in in-situ concrete,

2 PROTEC wall bracket fittings with integrated quick-push coupling, closed with quick-push caps,

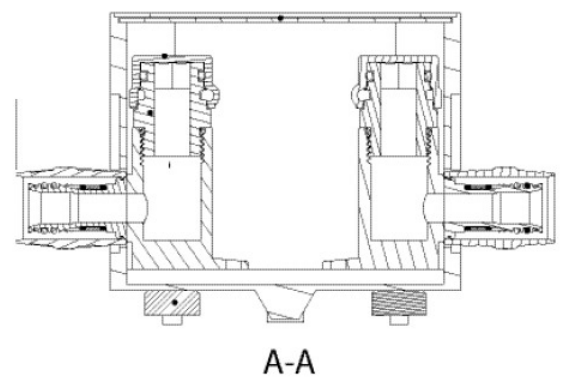
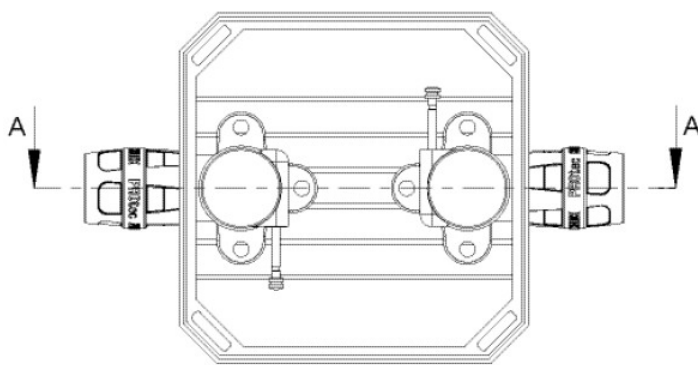
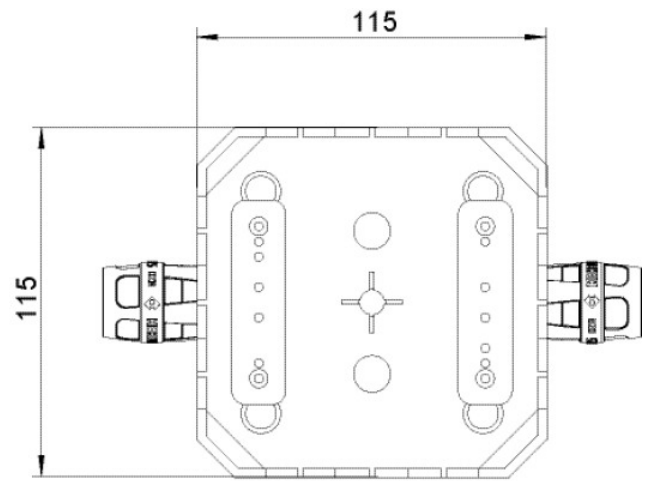
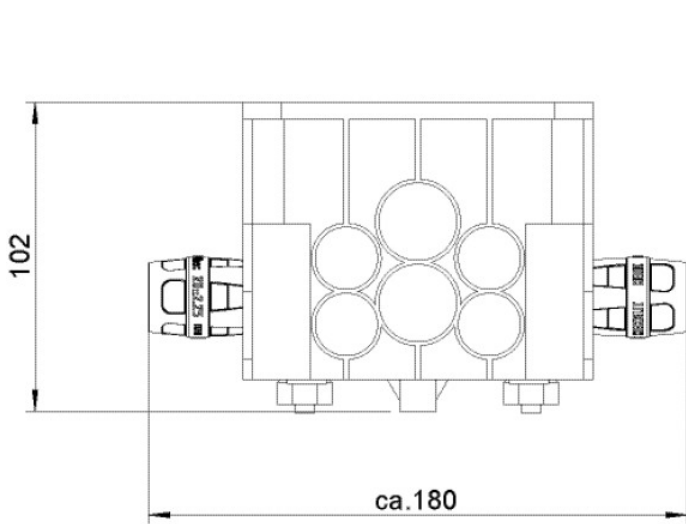
4 stainless steel nails 120mm and protection cover, pre-assembled in the climate box

Dimensions: L: 115mm W: 115mm H: 102mm

Accessories: KCP558S climate-hydraulic box, transparent lid 130x130x3.5mm

# Specifications

| Product information |                                  |
|---------------------|----------------------------------|
| VPE1                | 1,00 STK                         |
| VPE2                | 4,00 KT1                         |
| weight              | 0,730 KGM                        |
| text                | CLIMATEFIX climate-hydraulic box |
| INTRNR              | 39232100                         |
| main material group | CLIMATEFIX                       |
| material group      | CLIMATEFIX fittings              |
| code                | KCP558                           |



| Art. No | label |
|---------|-------|
| 6353516 | 16    |