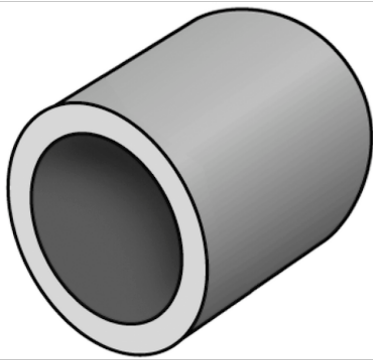


LEXEL

LX60 LEXEL insertion guide cap 38-42

5800080

Areas of application

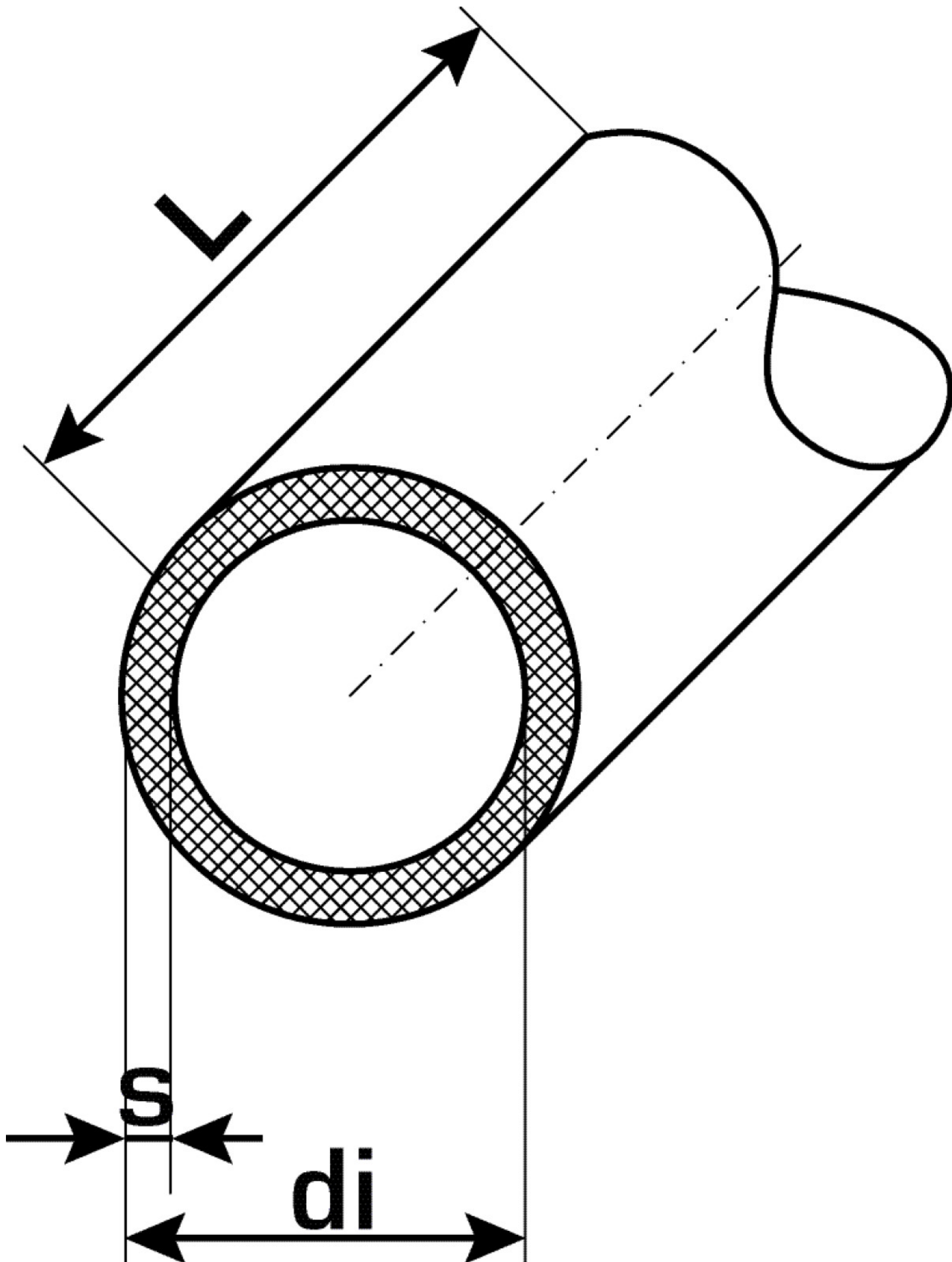


To insert at the pipe ends, as insertion aid

Specifications

Product information

VPE1	10,00 SA1
weight	0,010 KGM
text	LEXEL insertion guide cap
INTRNR	39259080
main material group	LEXEL
material group	LEXEL isolation and accessories
code	LX60



Art. No	label
5800080	38-42



KE KELIT GmbH

A 4020 Linz, Ignaz-Mayer-Straße 17, Austria, Europe

PHONE +43 (0) 50 779 **E-MAIL** office@kekelit.com

www.kekelit.com