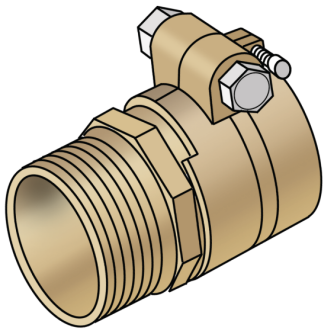


# KELIT PEX

PEX15-K KELIT PEX clamping connection with male thread 32x2.9mm / 1"

303014120

## Areas of application



Steel / PEX clamping connection made from brass, adapter with male thread according to ÖNORM EN 10226, for connecting PEX00, PEX03, PEX09 or PEX10 pipes (SDR 11).

Stainless steel version available on request.

# Specifications

## Product information

<b>VPE1</b>	1,00 STK
<b>weight</b>	0,400 KGM
<b>text</b>	KELIT PEX clamping connection with male thread
<b>INTRNR</b>	74122000
<b>main material group</b>	KELIT PEX
<b>material group</b>	PEX fittings and accessories
<b>code</b>	PEX15-K

## Art. No

## label

303014120

32x2.9mm / 1"



**KE KELIT GmbH**

A 4020 Linz, Ignaz-Mayer-Straße 17, Austria, Europe

**PHONE** +43 (0) 50 779 **E-MAIL** office@kekelit.com

www.kekelit.com