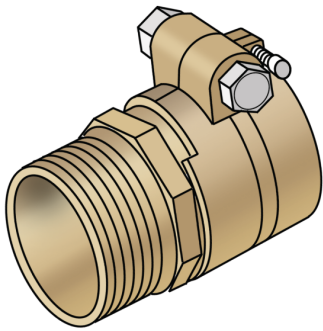


KELIT PEX

PEX15-K KELIT PEX clamping connection with male thread 75x6.8mm / 2 1/2"

303019120

Areas of application



Steel / PEX clamping connection made from brass, adapter with male thread according to ÖNORM EN 10226, for connecting PEX00, PEX03, PEX09 or PEX10 pipes (SDR 11).

Stainless steel version available on request.

Specifications

| Product information | |
|---------------------|--|
| VPE1 | 1,00 STK |
| weight | 1,800 KGM |
| text | KELIT PEX clamping connection with male thread |
| INTRNR | 74122000 |
| main material group | KELIT PEX |
| material group | PEX fittings and accessories |
| code | PEX15-K |

| Art. No | label |
|-----------|-------------------|
| 303019120 | 75x6.8mm / 2 1/2" |