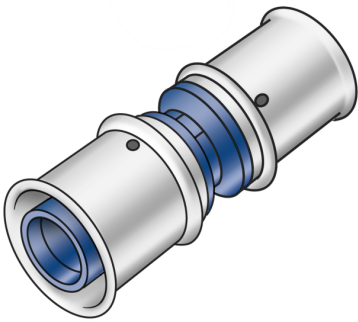


KELOX

KWX410 ?KELOX PPSU coupling 25/16

77600EB0

Areas of application



?Press coupling equal or reduced, made of PPSU (blue), incl. support sleeves with O-rings and stainless steel press-fit sleeves

Approvals:



Specifications

Article information

| | |
|---------------|-----------------|
| port 1 | Pressing socket |
| port 2 | Pressing socket |
| execution | 1-part |
| design | Straight |
| press contour | U |

Technical properties

| | |
|------------------------------------|--------|
| maximum working pressure at 20 ° C | 10 bar |
|------------------------------------|--------|

Product information

| | |
|---------------------|-----------------------------|
| VPE1 | 10,00 SA1 |
| VPE2 | 120,00 KT1 |
| weight | 0,036 KGM |
| text | ?KELOX PPSU coupling |
| INTRNR | 39174000 |
| main material group | KELOX |
| material group | KELOX-PPSU plastic fittings |
| code | KWX410 |



| Art. No | label | d1 mm | d2 mm | L1 mm | L2 mm | z1 mm | z2 mm |
|----------|-------|-------|-------|-------|-------|-------|-------|
| 77600EB0 | 25/16 | 25 | 16 | 41 | 30 | 11 | 8 |