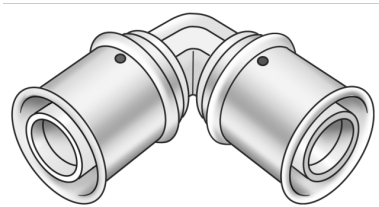


KELOX

KWX420W ?KELOX PPSU-W elbow 90° 50

77103HH0

Areas of application



?Press elbow 90° for changing direction with a minimal radius, made of PPSU (white), incl. support sleeves with O-rings and stainless steel press-fit sleeves

Approvals:



Specifications

Article information

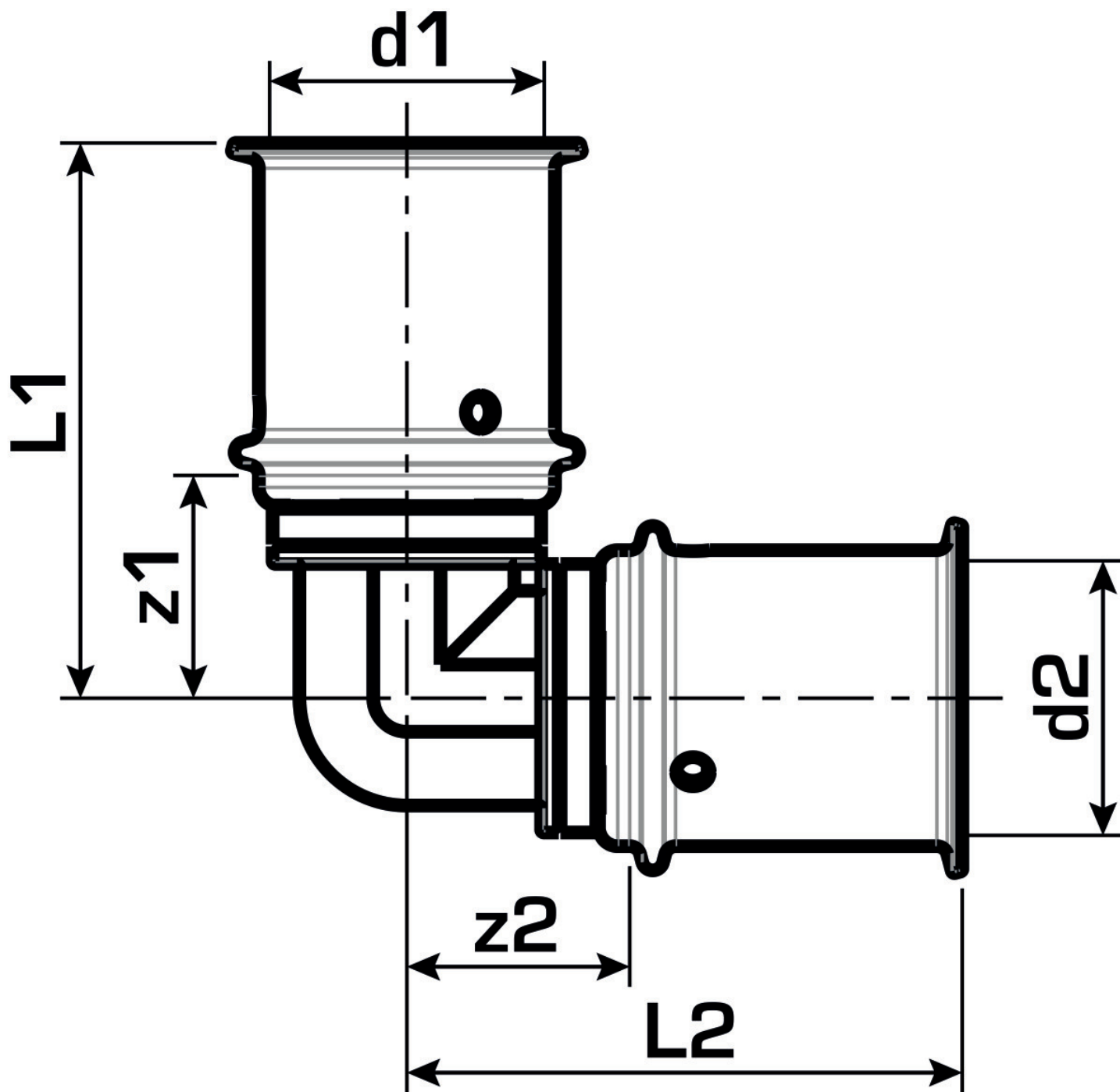
port 1	Pressing socket
port 2	Pressing socket
execution	1-part
design	Knee
angle	90 °
press contour	U

Technical properties

maximum working pressure at 20 ° C	16 bar
------------------------------------	--------

Product information

VPE1	2,00 SA1
VPE2	14,00 KT1
weight	0,206 KGM
text	?KELOX PPSU-W elbow 90°
INTRNR	39174000
main material group	KELOX
material group	KELOX-PPSU plastic fittings
code	KWX420W



Art. No	label	d1 mm	d2 mm	L1 mm	L2 mm	z1 mm	z2 mm
77103HH0	50	50	50	77	77	37	37