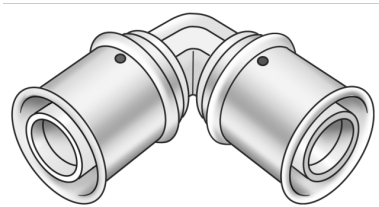


KELOX

KWX420W ?KELOX PPSU-W elbow 90° 63

77103II0

Areas of application



?Press elbow 90° for changing direction with a minimal radius, made of PPSU (white), incl. support sleeves with O-rings and stainless steel press-fit sleeves

Approvals:



Specifications

Article information

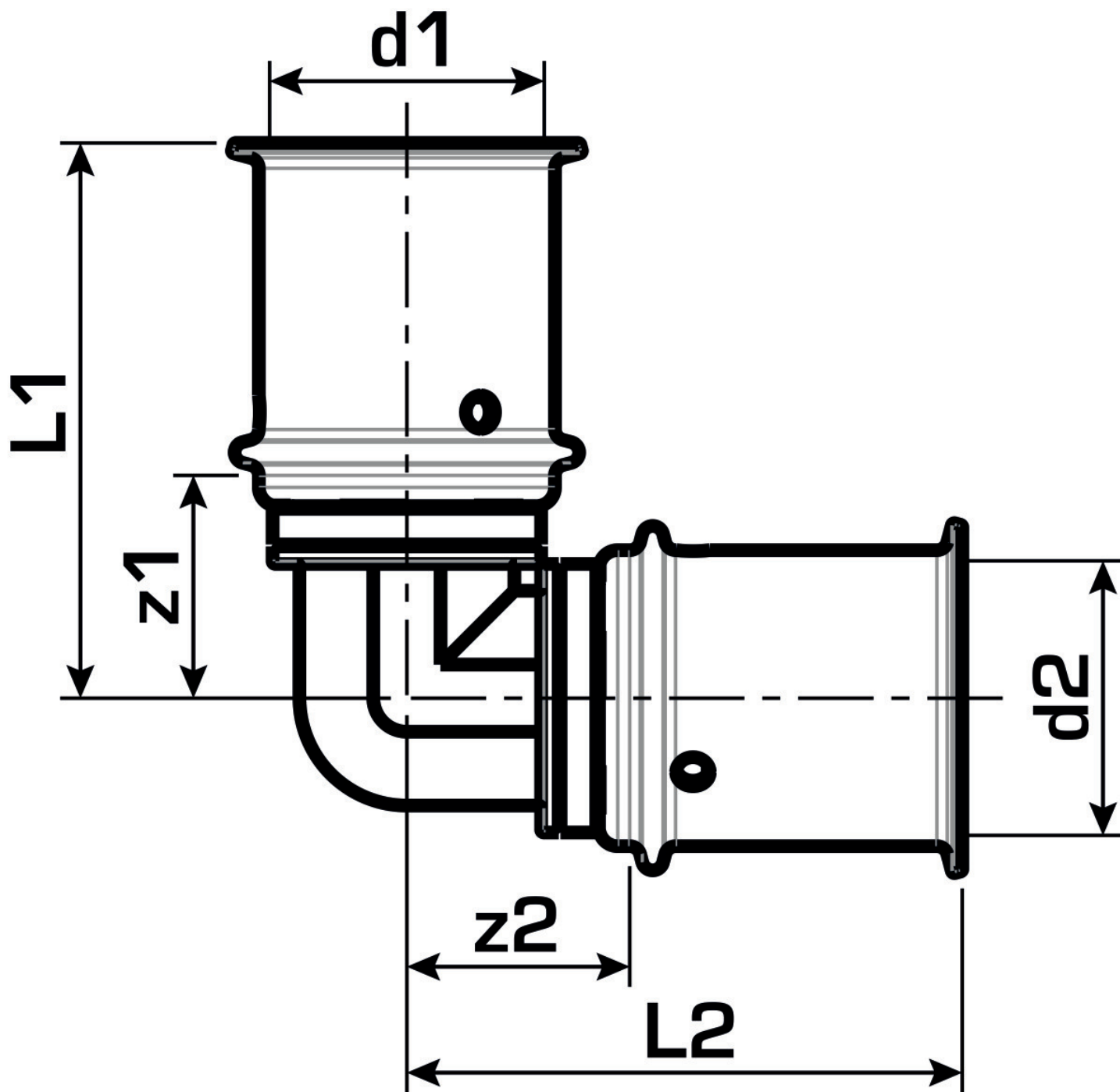
| | |
|---------------|-----------------|
| port 1 | Pressing socket |
| port 2 | Pressing socket |
| execution | 1-part |
| design | Knee |
| angle | 90 ° |
| press contour | U |

Technical properties

| | |
|------------------------------------|--------|
| maximum working pressure at 20 ° C | 16 bar |
|------------------------------------|--------|

Product information

| | |
|---------------------|-----------------------------|
| VPE1 | 1,00 SA1 |
| VPE2 | 8,00 KT1 |
| weight | 0,206 KGM |
| text | ?KELOX PPSU-W elbow 90° |
| INTRNR | 39174000 |
| main material group | KELOX |
| material group | KELOX-PPSU plastic fittings |
| code | KWX420W |



| Art. No | label | d1 mm | d2 mm | L1 mm | L2 mm | z1 mm | z2 mm |
|----------|-------|-------|-------|-------|-------|-------|-------|
| 77103110 | 63 | 50 | 50 | 77 | 77 | 37 | 37 |