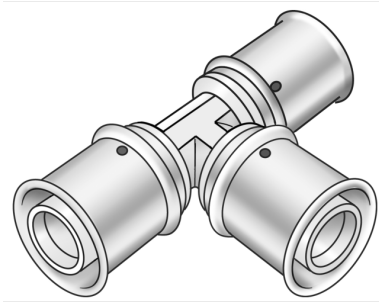


KELOX

KWX440W ?KELOX PPSU tee piece 25/20/25

77110EDE

Areas of application



?Press tee equal or reduced, made of PPSU (white), incl. support sleeves with O-rings and stainless steel press-fit sleeves

Approvals:



Specifications

Article information

| | |
|---------------|-----------------|
| port 1 | Pressing socket |
| port 2 | Pressing socket |
| port 3 | Pressing socket |
| execution | Tee piece |
| angle | 90 ° |
| press contour | U |

Technical properties

| | |
|------------------------------------|--------|
| maximum working pressure at 20 ° C | 16 bar |
|------------------------------------|--------|

Product information

| | |
|---------------------|-----------------------------|
| VPE1 | 4,00 SA1 |
| VPE2 | 48,00 KT1 |
| weight | 0,067 KGM |
| text | ?KELOX PPSU tee piece |
| INTRNR | 39174000 |
| main material group | KELOX |
| material group | KELOX-PPSU plastic fittings |
| code | KWX440W |



| Art. No | label | d1 mm | d2 mm | d3 mm | L1 mm | L2 mm | L3 mm | z1 mm | z2 mm | z3 mm |
|----------|----------|-------|-------|-------|-------|-------|-------|-------|-------|-------|
| 77110EDF | 25/20/25 | 25 | 20 | 25 | 52 | 50 | 52 | 25 | 26 | 25 |