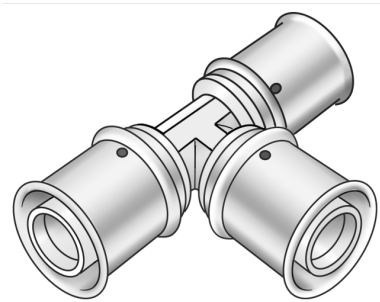


# KELOX

## KWX440W ?KELOX PPSU tee piece 32/25/32

77110FEF

### Areas of application



?Press tee equal or reduced, made of PPSU (white), incl. support sleeves with O-rings and stainless steel press-fit sleeves

### Approvals:



# Specifications

## Article information

port 1	Pressing socket
port 2	Pressing socket
port 3	Pressing socket
execution	Tee piece
angle	90 °
press contour	U

## Technical properties

maximum working pressure at 20 ° C	16 bar
------------------------------------	--------

## Product information

VPE1	4,00 SA1
VPE2	32,00 KT1
weight	0,109 KGM
text	?KELOX PPSU tee piece
INTRNR	39174000
main material group	KELOX
material group	KELOX-PPSU plastic fittings
code	KWX440W



Art. No	label	d1 mm	d2 mm	d3 mm	L1 mm	L2 mm	L3 mm	z1 mm	z2 mm	z3 mm
77110FEF	32/25/32	32	25	32	56	58	56	28	30	26