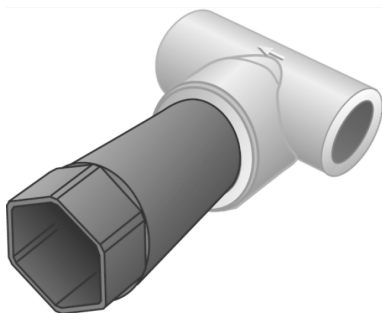


KE50P KELEN PP-RCT shut-off valve body with stopper 20x3/4"

2660521

Areas of application



KELEN PP-RCT Polyfusion welding fitting for connecting pipes with fittings made of the same material (no reduction of internal diameter), shut-off valve with plastic seat incl. stopper
Compatible with: K50C 3/4" and K50F 3/4"

Approvals:



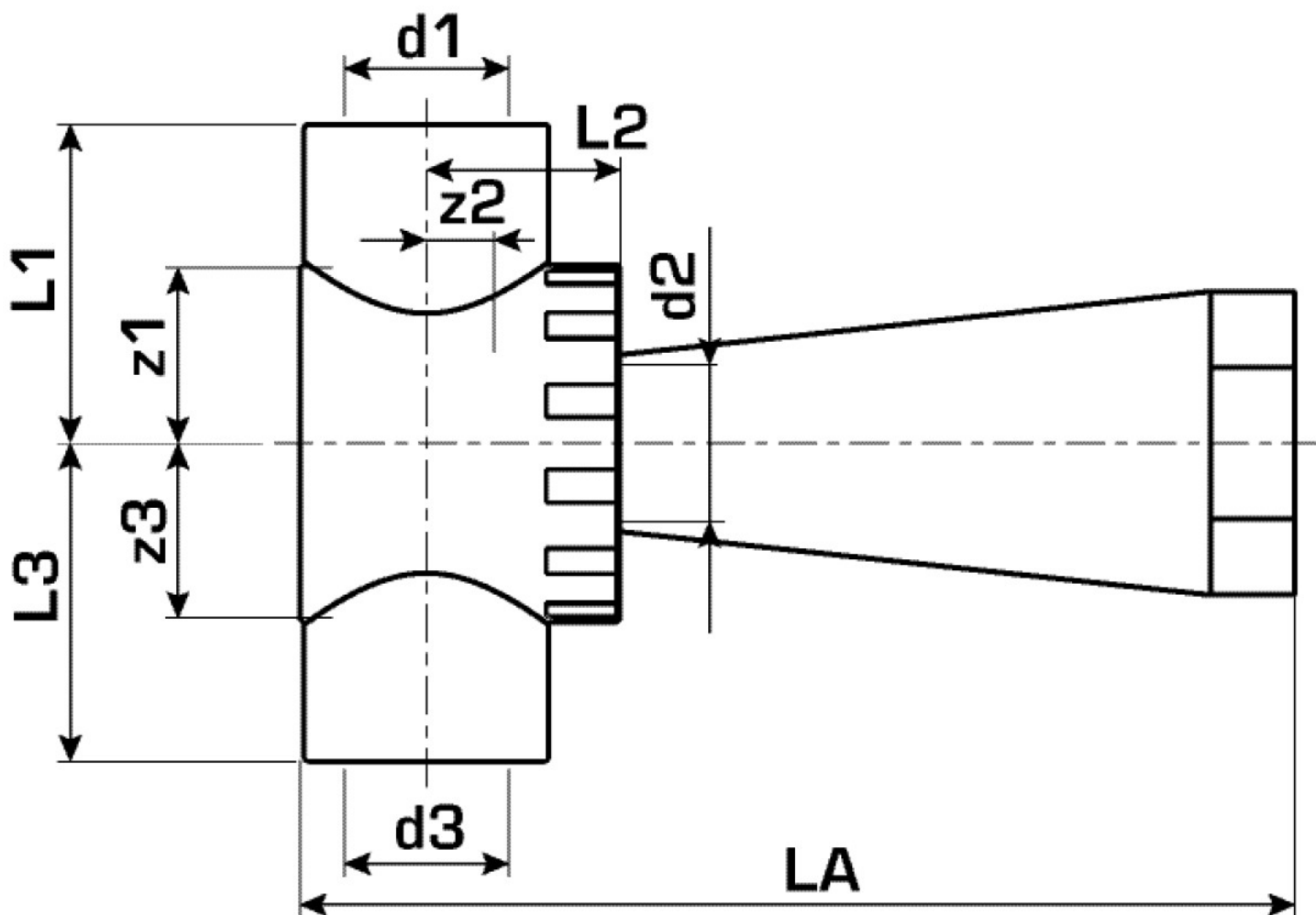
Specifications

Article information

port 3	Kunststoffschweißmuffe
execution	T-Stück
angle	90 °

Product information

VPE1	1,00 SA1
VPE2	15,00 KT1
VPE3	60,00 KT2
VPE4	1440,00 PAL
weight	0,177 KGM
text	KELEN PP-RCT shut-off valve body with stopper
INTRNR	39174000
main material group	KELEN
material group	KELEN metal fittings
code	KE50P



Art. No	label	d1 mm	d2 Zoll	d3 mm	L1 mm	L1 mm	L3 mm	L1 / L3 mm	z1 mm	z2 mm	z3 mm
2660521	20x3/4"	20	3/4"	20	132	38	38	38	23	23	23