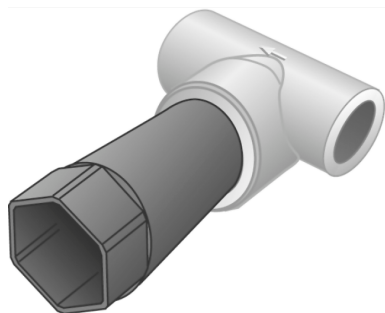


# KE50P KELEN PP-RCT shut-off valve body with stopper 25x3/4"

2660721

## Areas of application



KELEN PP-RCT Polyfusion welding fitting for connecting pipes with fittings made of the same material (no reduction of internal diameter), shut-off valve with plastic seat incl. stopper  
Compatible with: K50C 3/4" and K50F 3/4"

## Approvals:



# Specifications

## Article information

port 3	Kunststoffschweißmuffe
execution	T-Stück
angle	90 °

## Product information

VPE1	1,00 SA1
VPE2	15,00 KT1
VPE3	60,00 KT2
VPE4	1440,00 PAL
weight	0,185 KGM
text	KELEN PP-RCT shut-off valve body with stopper
INTRNR	39174000
main material group	KELEN
material group	KELEN metal fittings
code	KE50P

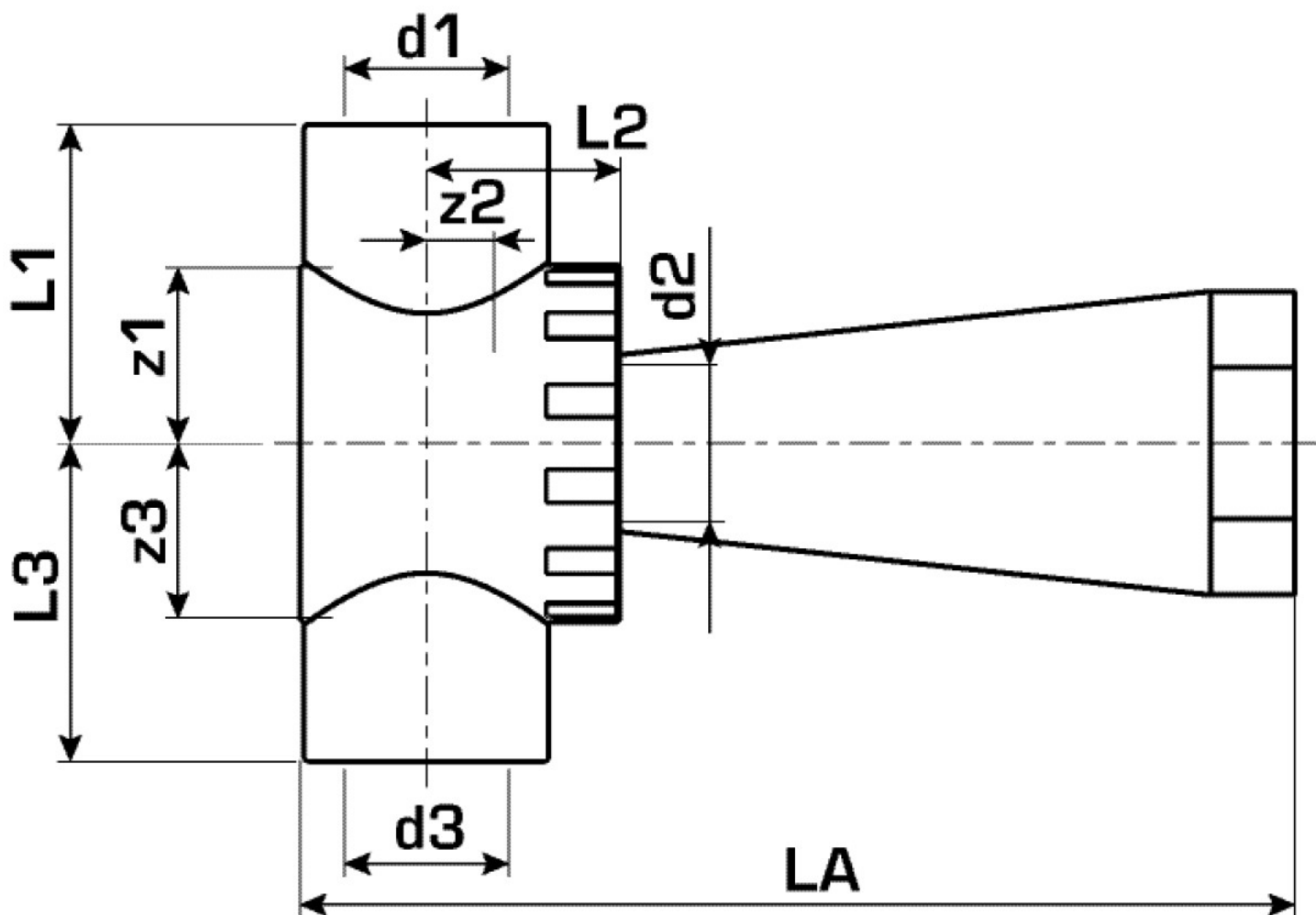


**KE KELIT GmbH**

A 4020 Linz, Ignaz-Mayer-Straße 17, Austria, Europe

**PHONE** +43 (0) 50 779 **E-MAIL** office@kekelit.com

[www.kekelit.com](http://www.kekelit.com)



Art. No	label	d1 mm	d2 Zoll	d3 mm	L1 mm	L1 mm	L3 mm	L1 / L3 mm	z1 mm	z2 mm	z3 mm
2660721	25x3/4"	25	3/4"	25	132	38	38	38	23	32	23