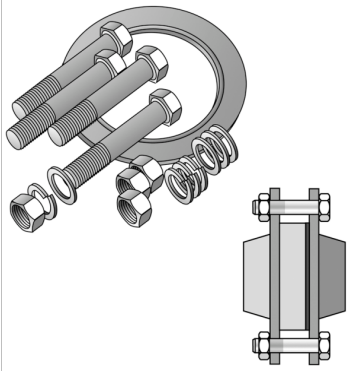


# K19A KELIT seal set for loose flange KE18 - steel flange Seal 110/125

2730900

## Areas of application



Incl. screws, nuts, spring washers, shims and EPDM seal with steel insert, screw length aligned with KE18 collar bushing with K19 loose flange mounted on steel flange  
EPDM seal with steel insert available separately!

## Approvals:



# Specifications

## Product information

<b>VPE1</b>	1,00 SA1
<b>weight</b>	0,120 KGM
<b>text</b>	KELIT seal set for loose flange KE18 - steel flange
<b>INTRNR</b>	40169300
<b>main material group</b>	KELEN
<b>material group</b>	KELEN accessories
<b>code</b>	K19A

## Art. No

## label

2730900

Seal 110/125