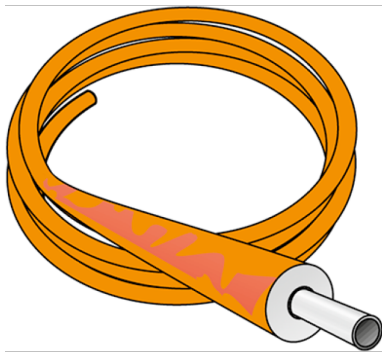


KELOX

KM133 KELOX plus pipe - 13mm 18x2

75211813

Areas of application



?KELOX multilayer pipe conforming to ÖNORM EN ISO 21003, oxygen- and water vapour diffusion-tight 5-layer PE-RT/Al/PE-RT composite pipe, with factory-applied 13mm closed-cell soft foam insulation and jacket made of viscoplastic PE film

Classification of operating conditions according to ÖNORM EN ISO 21003

Sanitary application - Class 2: 70°C - tmax 80°C/10 bar

Radiator connection - Class 5: 80°C - tmax 90°C/10 bar

Insulation thickness: 13mm

Colour: orange

Supplied in coils

Approvals:



Specifications

Article information

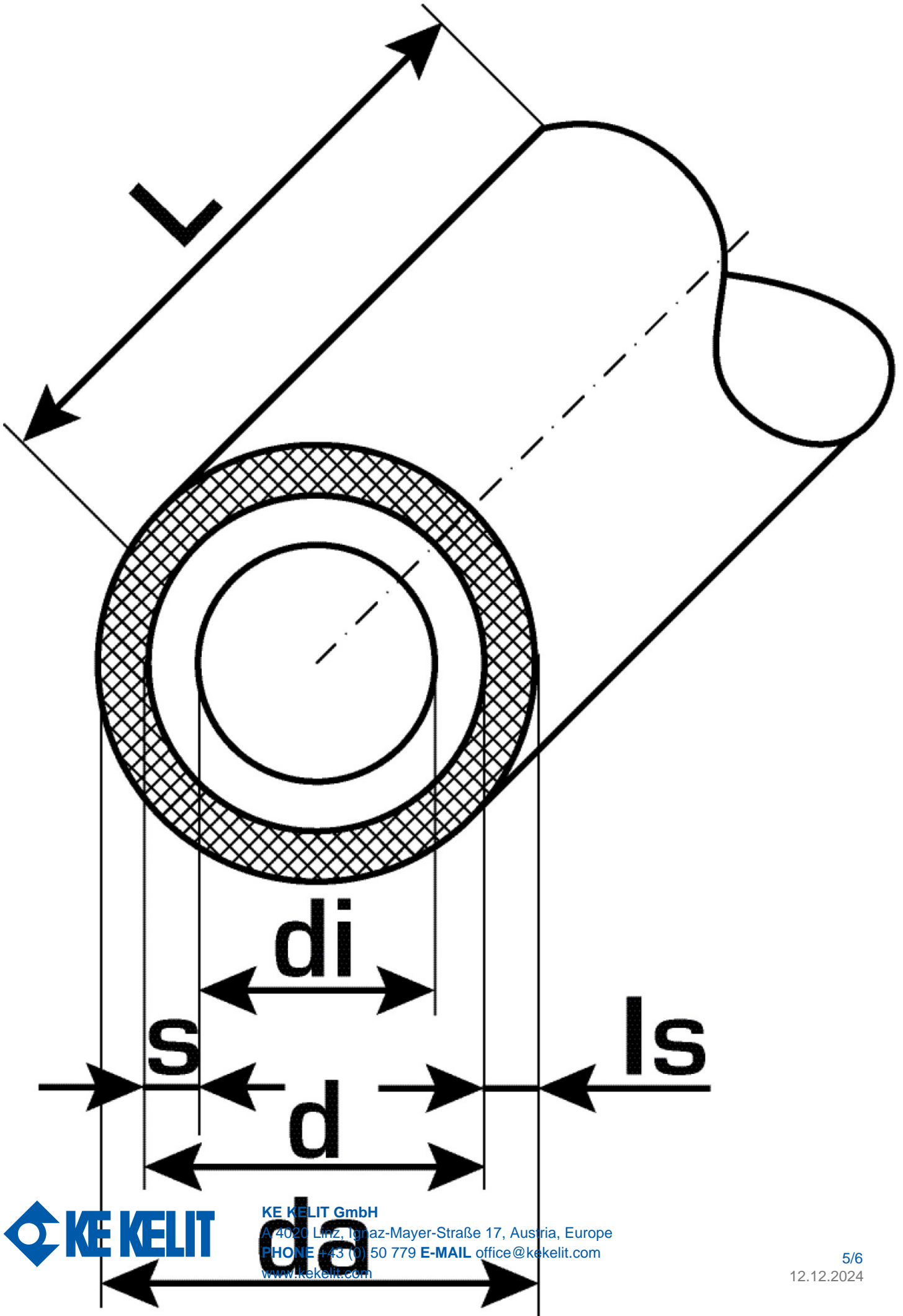
| | |
|-------------------------|--------|
| color | White |
| colour isolation | Orange |
| flexible | 1 |
| isolation | 1 |

Technical properties

| | |
|---|----------------|
| maximum working pressure at 20 ° C | 10 bar |
| thick thermal insulation | 13 mm |
| pipe contents | 0,154 l/m |
| lambda pipe | 0,45 W/(m.K) |
| wall rawness | 0,007 mm |
| expansion coefficient | 0,025 mm/(m.K) |

Product information

| | |
|---------------------|------------------------|
| VPE1 | 50,00 ROL |
| VPE2 | 550,00 PAL |
| L | 50 m |
| weight | 0,230 KGM |
| text | KELOX plus pipe - 13mm |
| INTRNR | 39173900 |
| main material group | KELOX |
| material group | KELOX isolierte pipes |
| code | KM133 |



| Art. No | label | d1 mm | d Jacket tube mm | pipe contents l/m | s mm |
|----------|-------|-------|------------------|-------------------|------|
| 75211813 | 18x2 | 18 | 44 | 0,154 | 2 |



KE KELIT GmbH

A 4020 Linz, Ignaz-Mayer-Straße 17, Austria, Europe

PHONE +43 (0) 50 779 **E-MAIL** office@kekelit.com

www.kekelit.com