

# KELOX

## KUC134 KELOX-ECO Plus pipe - 4mm 16x2

7041620

### Areas of application



KELOX-ECO solid-wall pipe in accordance with ÖNORM EN ISO 22391 made of PE-RT type 2, with 4mm closed-cell flexible-foam insulation applied at the plant and protective coating made of viscoplastic PE film. Connections can be made using KM compression fittings, KMP, KWP, KMU and KWK fittings

Classification of operating conditions according to ÖNORM EN ISO 22391

Cold water area of application: 20 °C - 10 bar

Warm water application range: 60 °C - 6 bar

Colour: blue

Rolled product

## Approvals:



# Specifications

## Article information

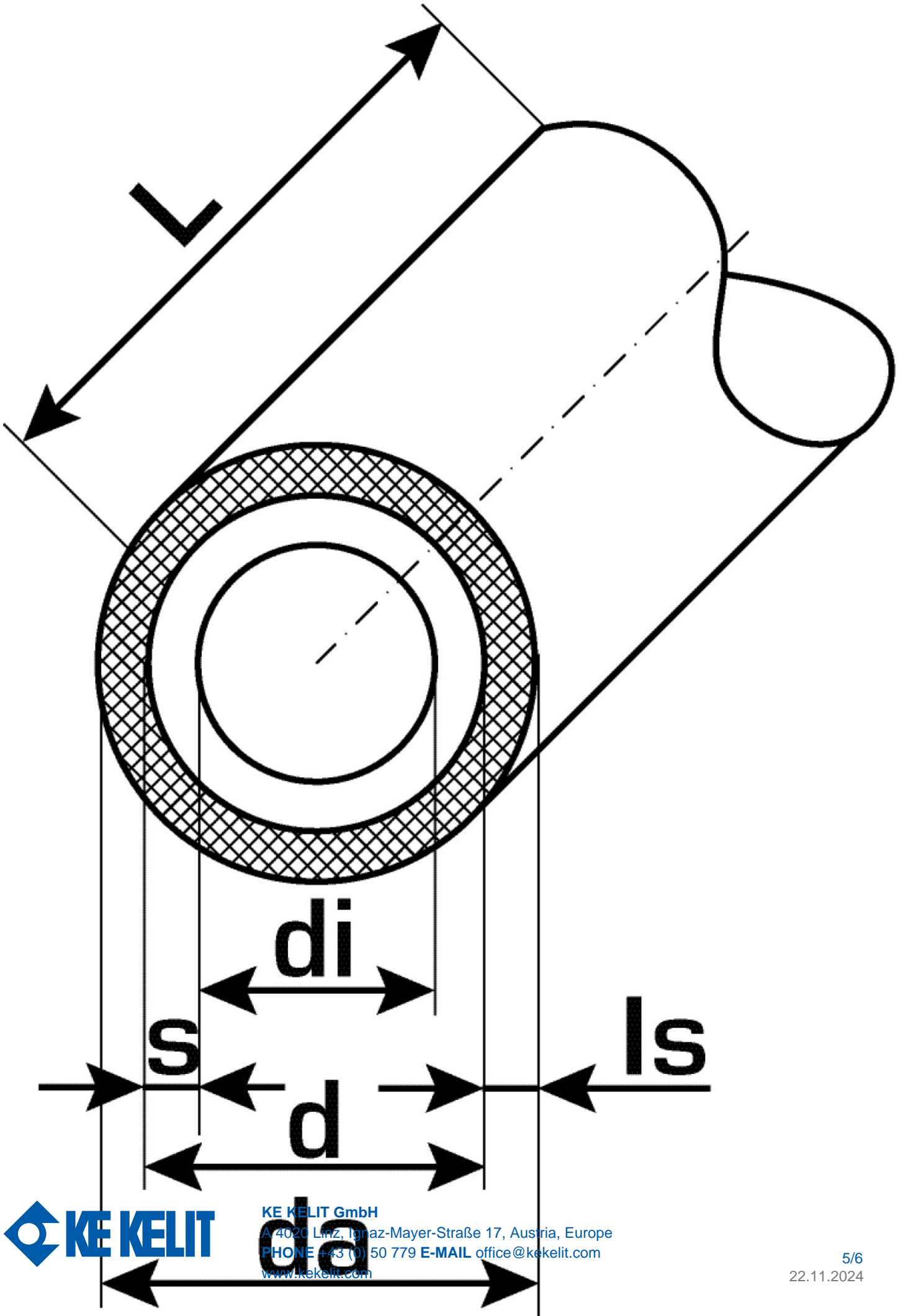
color	White
colour isolation	Blue
flexible	1
trade length	50 m
isolation	1

## Technical properties

maximum working pressure at 20 ° C	10 bar
thick thermal insulation	4 mm
pipe weight	0,15 kg/m
pipe contents	0,113 l/m
lambda pipe	0,40 W/(m.K)
wall rawness	0,007 mm
expansion coefficient	0,19 mm/(m.K)

## Product information

VPE1	50,00 ROL
VPE2	900,00 PAL
L	50 m
weight	0,128 KGM
text	KELOX-ECO Plus pipe - 4mm
INTRNR	39173900
main material group	KELOX
material group	KELOX isolierte pipes
code	KUC134



Art. No	label	d1 mm	d Jacket tube mm	pipe contents l/m	s mm
7041620	16x2	16	24	0,113	2



**KE KELIT GmbH**

A 4020 Linz, Ignaz-Mayer-Straße 17, Austria, Europe

**PHONE** +43 (0) 50 779 **E-MAIL** office@kekelit.com

www.kekelit.com