

# KELOX

KM136B KELOX plus pipe - 6mm 32x3 blue

7522320E

## Areas of application



?KELOX multilayer pipe conforming to ÖNORM EN ISO 21003, oxygen- and water vapour diffusion-tight 5-layer PE-RT/Al/PE-RT composite pipe, with factory-applied 6mm closed-cell soft foam insulation and jacket made of viscoplastic PE film

Classification of operating conditions according to ÖNORM EN ISO 21003

Sanitary application - Class 2: 70°C - tmax 80°C/10 bar

Radiator connection - Class 5: 80°C - tmax 90°C/10 bar

Thermal conductivity according to EN ISO 8497:

Average temperature +20°C - 0.038 W/mK

Average temperature +40°C - 0.040 W/mK

Insulation thickness: 6mm

Supplied in coils

## Approvals:



# Specifications

## Article information

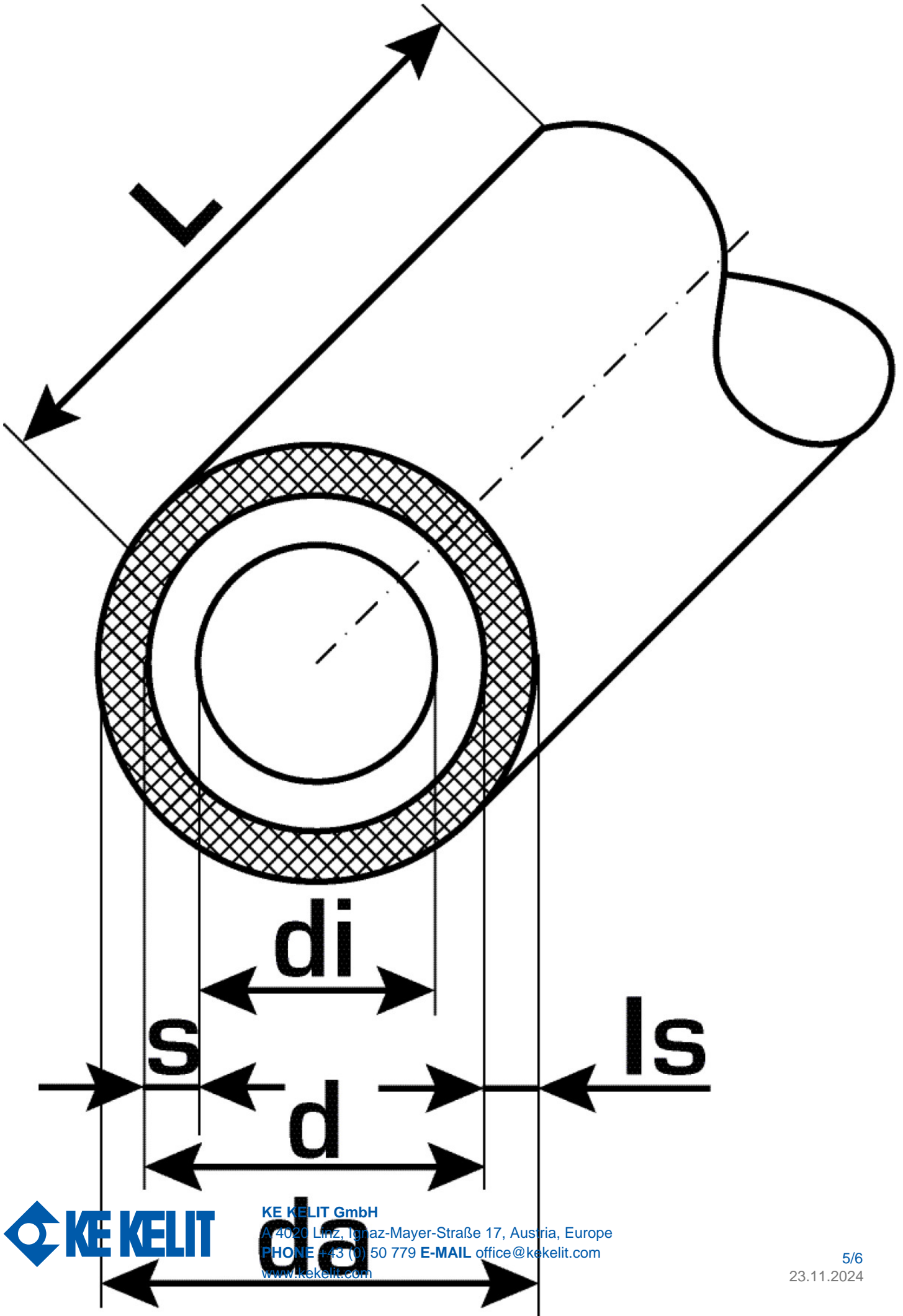
<b>color</b>	weiß
<b>colour isolation</b>	blau
<b>flexible</b>	1
<b>isolation</b>	1

## Technical properties

<b>maximum working pressure at 20 ° C</b>	10 bar
<b>thick thermal insulation</b>	6 mm
<b>pipe weight</b>	0,38 kg/m
<b>pipe contents</b>	0,314 l/m
<b>lambda pipe</b>	0,45 W/(m.K)
<b>wall rawness</b>	0,007 mm
<b>expansion coefficient</b>	0,025 mm/(m.K)

## Product information

<b>VPE1</b>	25,00 ROL
<b>VPE2</b>	225,00 PAL
<b>L</b>	25 m
<b>weight</b>	0,410 KGM
<b>text</b>	KELOX plus pipe - 6mm
<b>INTRNR</b>	39173900
<b>main material group</b>	KELOX
<b>material group</b>	KELOX isolierte pipes
<b>code</b>	KM136B



Art. No	label	d1 mm	d Jacket tube mm	pipe contents l/m	s mm
7522320E	32x3 blue	32	44	0,314	3



**KE KELIT GmbH**

A 4020 Linz, Ignaz-Mayer-Straße 17, Austria, Europe

**PHONE** +43 (0) 50 779 **E-MAIL** office@kekelit.com

www.kekelit.com