

# KELOX

KM136R KELOX plus pipe - 6mm 32x3 red

7522321E

## Areas of application



?KELOX multilayer pipe conforming to ÖNORM EN ISO 21003, oxygen- and water vapour diffusion-tight 5-layer PE-RT/Al/PE-RT composite pipe, with factory-applied 6mm closed-cell soft foam insulation and jacket made of viscoplastic PE film

Classification of operating conditions according to ÖNORM EN ISO 21003

Sanitary application - Class 2: 70°C - tmax 80°C/10 bar

Radiator connection - Class 5: 80°C - tmax 90°C/10 bar

Thermal conductivity according to EN ISO 8497:

Average temperature +20°C - 0.038 W/mK

Average temperature +40°C - 0.040 W/mK

Insulation thickness: 6mm

Supplied in coils

## Approvals:



# Specifications

## Article information

**color** weiß

**colour isolation** rot

**flexible** 1

**isolation** 1

## Technical properties

**maximum working pressure at 20 ° C** 10 bar

**thick thermal insulation** 6 mm

**pipe weight** 0,38 kg/m

**pipe contents** 0,314 l/m

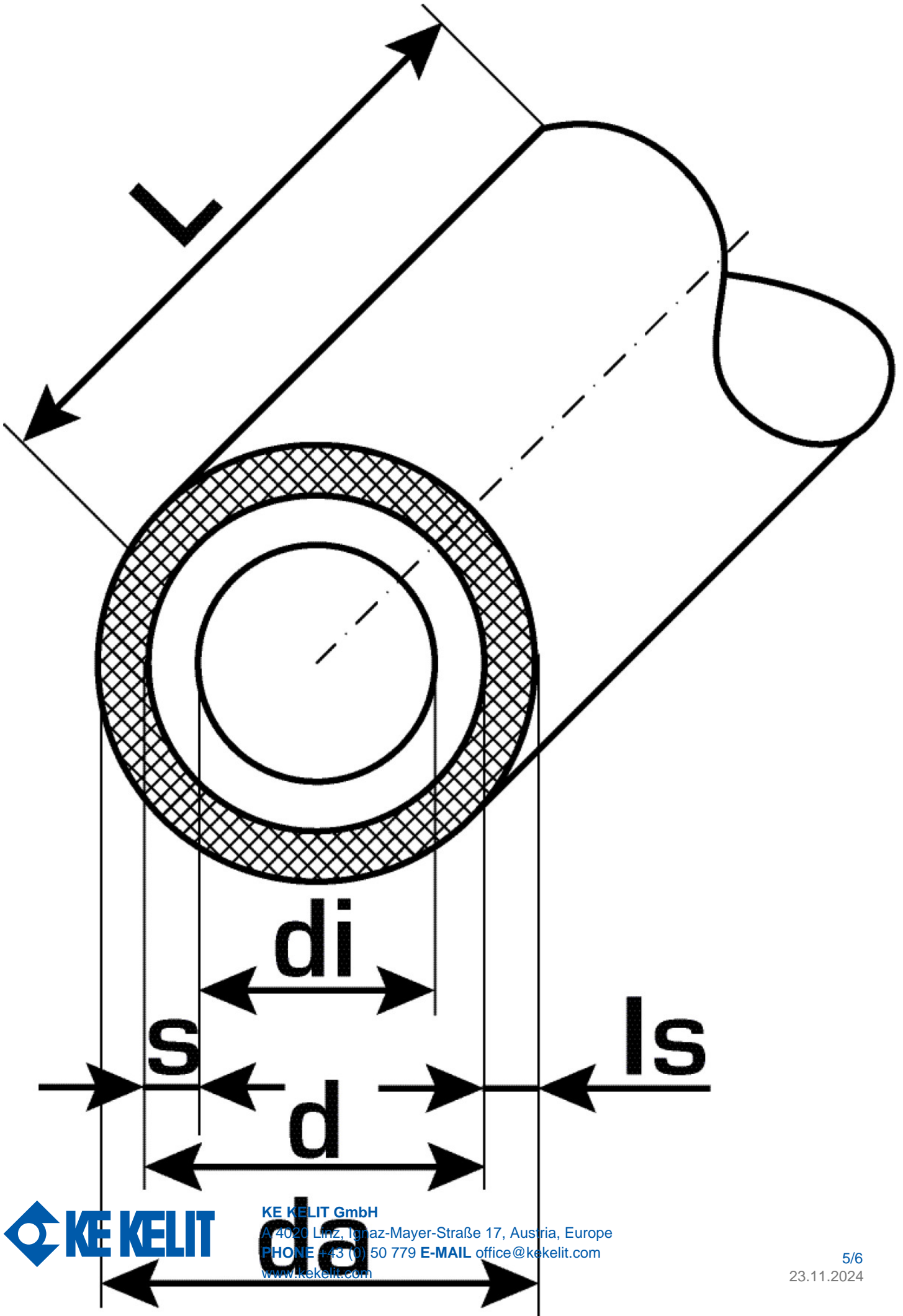
**lambda pipe** 0,45 W/(m.K)

**wall rawness** 0,007 mm

**expansion coefficient** 0,025 mm/(m.K)

## Product information

VPE1	25,00 ROL
VPE2	225,00 PAL
L	25 m
weight	0,410 KGM
text	KELOX plus pipe - 6mm
INTRNR	39173900
main material group	KELOX
material group	KELOX isolierte pipes
code	KM136R



Art. No	label	d1 mm	d Jacket tube mm	pipe contents l/m	s mm
7522321E	32x3 red	32	44	0,314	3



**KE KELIT GmbH**

A 4020 Linz, Ignaz-Mayer-Straße 17, Austria, Europe

**PHONE** +43 (0) 50 779 **E-MAIL** [office@kekelit.com](mailto:office@kekelit.com)

[www.kekelit.com](http://www.kekelit.com)