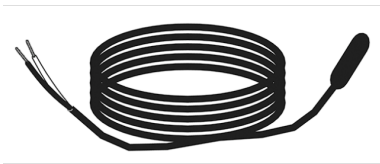


# KELOX<sub>FB</sub>

## KM699 KELOX FB floor sensor Underfloor heating sensor

5881600

### Areas of application



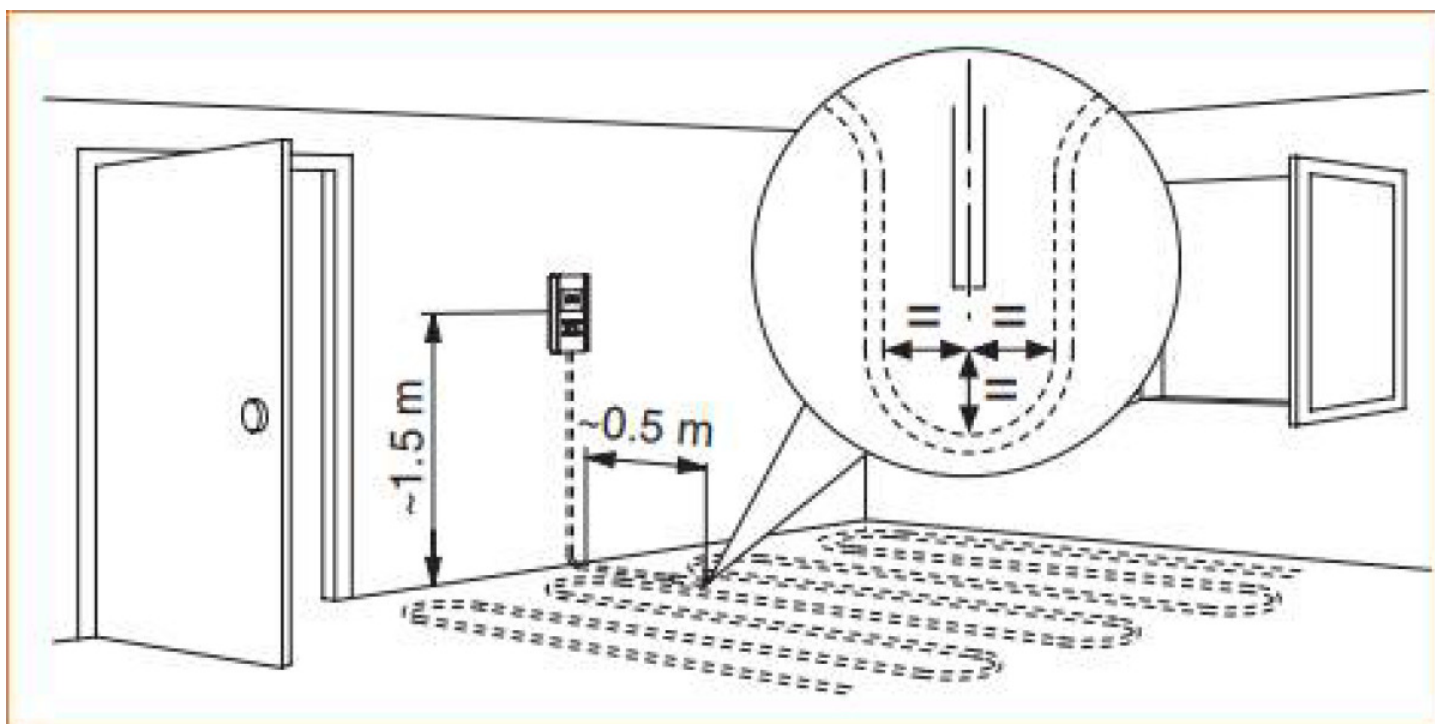
KELOX FB floor sensor for collecting and monitoring the underfloor heating temperature. If possible, installation on the screed surface; connection and control carried out via KELOX room thermostats  
Cable length: 3m

ATTENTION: Only in conjunction with KM690U, KM692K and KM694K!

# Specifications

## Product information

VPE1	1,00 KT1
weight	0,010 KGM
text	KELOX FB floor sensor
INTRNR	90321020
code	KM699



Art. No

5881600

label

Underfloor heating sensor