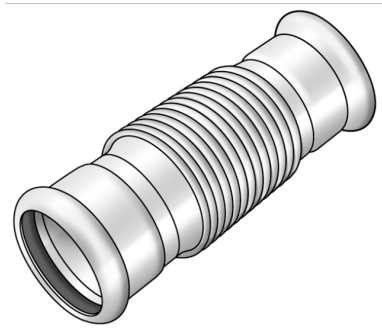


STEEL FIX EDELSTAHL

NP478 Stainless steel press-axial expansion joint
- socket end 18

53754CC0

Areas of application



Press-axial expansion joint straight made of stainless steel 1.4404 with two socket ends, to balance out the thermal expansion of piping systems

NOT deadroom-free!

Position 0 at 20°C

Compensation:

d18: 16mm

d22: 20mm

d28: 22mm

d35: 24mm

d42: 24mm



KE KELIT GmbH

A 4020 Linz, Ignaz-Mayer-Straße 17, Austria, Europe

PHONE +43 (0) 50 779 E-MAIL office@kekelit.com

www.kekelit.com

d54: 30mm

Press contour: M

Approvals:



Specifications

Article information

port 1 Pressmuffe

execution Axial

Product information

VPE1 10 SA1

VPE2 60 KT1

weight 0,07 KGM

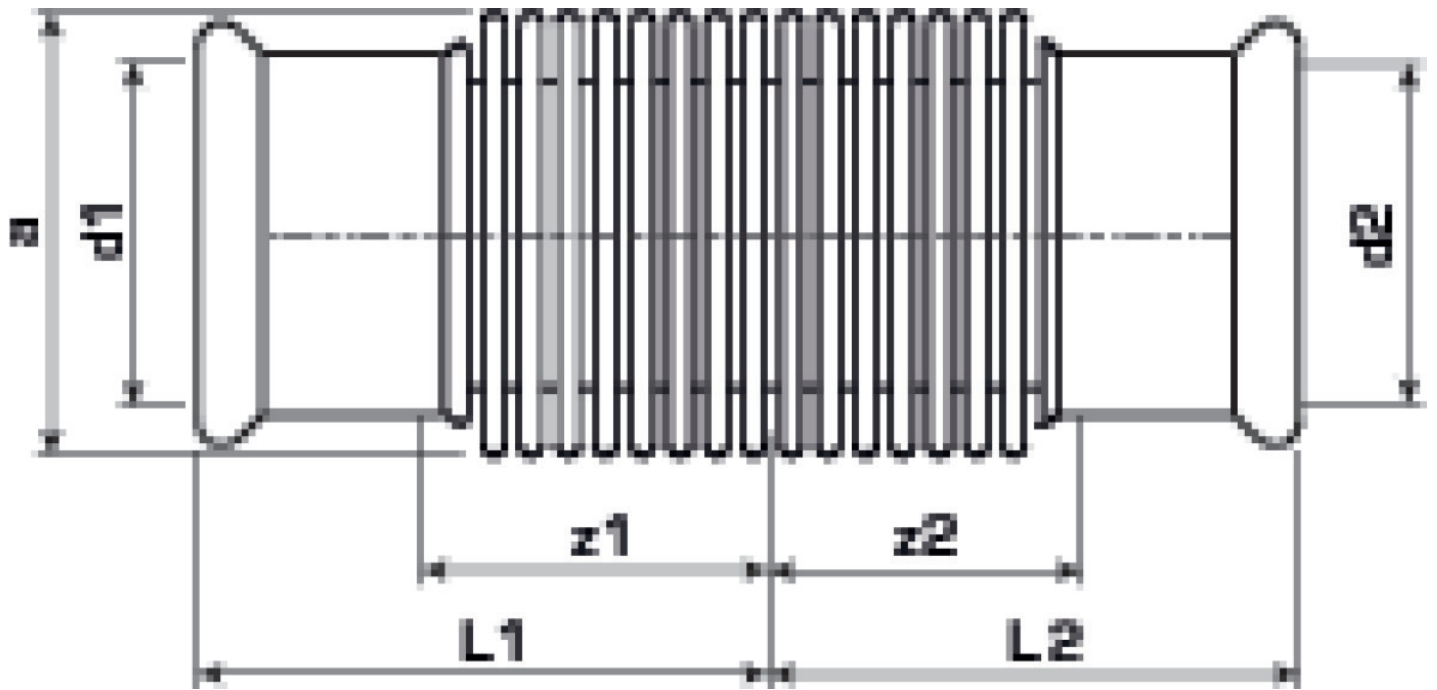
text Stainless steel press-axial expansion joint - socket end

INTRNR 73072980

main material group STEELFIX

material group EDELSTAHL pressfittings

code NP478



Art. No	label	d1 mm	L1 mm	L2 mm	Z1 mm	Z2 mm
53754CC0	18	18	53	53	33	33