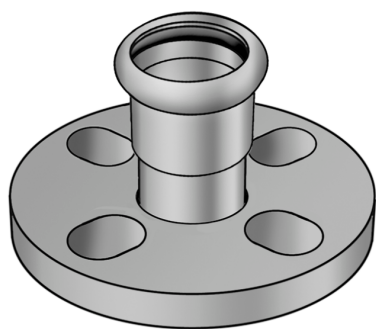


COPPER FIX

COF486A COPPERFIX copper press-adapter
flange AS-PN16 76-DN65 4-hole

52756J00

Areas of application



Press-adapter flange, flat-sealing made of red brass, incl. EPDM sealing elements, depending on the size with flat or grooved sealing surface, "leak before pressed"

Press contour: M

Flange dimensions conforming to Australian standard AS 2129-2000 - PN16

Flange dimensions for d108 mm the same as DIN 2501 - PN16

Approvals:



Specifications

Article information

port 1	Pressmuffe
port 2	Flansch
press contour	M

Technical properties

PN	PN 16
----	-------

Product information

VPE1	1,00 KT1
weight	4,320 KGM
text	COPPERFIX copper press-adapter flange AS-PN16
INTRNR	74122000
main material group	COPPERFIX
material group	KUPFER pressfittings
code	COF486A

Art. No	label
52756J00	76-DN65 4-hole