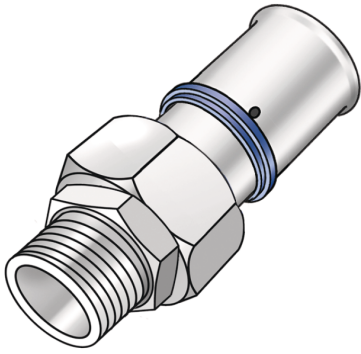


KELOX

KMU451 KELOX-ULTRAX union with male thread 40x5/4"

71241G06

Areas of application



ULTRAX press-fit union with male thread made from stainless steel, thread as per ÖNORM EN 10226, for connecting to fittings made of non-porous metallised brass; incl. support sleeves with O-rings and stainless steel press-fit sleeves "leak before pressed", flat-sealing including seal

Approvals:



Specifications

Article information

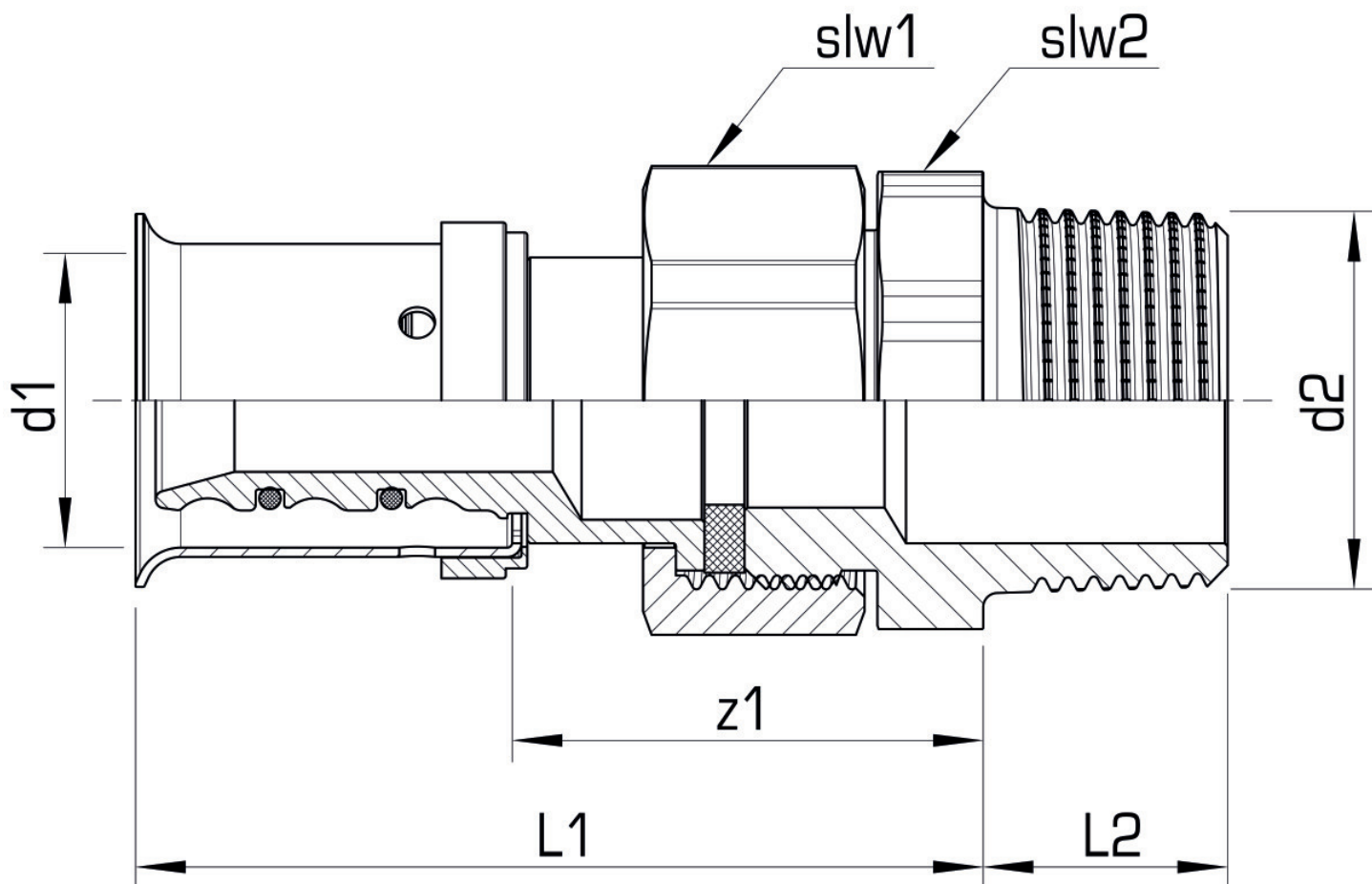
port 1	Pressmuffe
port 2	Außengewinde konisch (NPT)
execution	2-part
design	straight
press contour	U

Technical properties

maximum working pressure at 20 ° C	10 bar
------------------------------------	--------

Product information

VPE1	5,00 SA1
weight	0,518 KGM
text	KELOX-ULTRAX union with male thread
INTRNR	74122000
main material group	KELOX
material group	KELOX-ULTRAX metal fittings
code	KMU451



Art. No	label	d2 Inches	d1 mm
71241G06	40x5/4"	1 1/4"	40