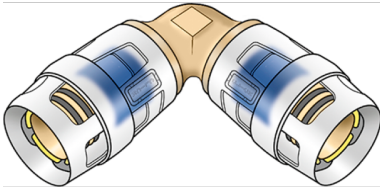


KELOX

KMP420X KELOX-PROTEC CLIX elbow 90° 20

730103DD0

Areas of application



Plug-in elbow 90° for changing direction with a minimal radius, made of dezincification-resistant brass (DZR), including support sleeves with insertion click noise, as well as haptic and optical insertion indicator, O-rings, withdrawal barriers and protector ring as insertion locking device

Approvals:



KE KELIT GmbH

A 4020 Linz, Ignaz-Mayer-Straße 17, Austria, Europe

PHONE +43 (0) 50 779 E-MAIL office@kekelit.com

www.kekelit.com

Specifications

Article information

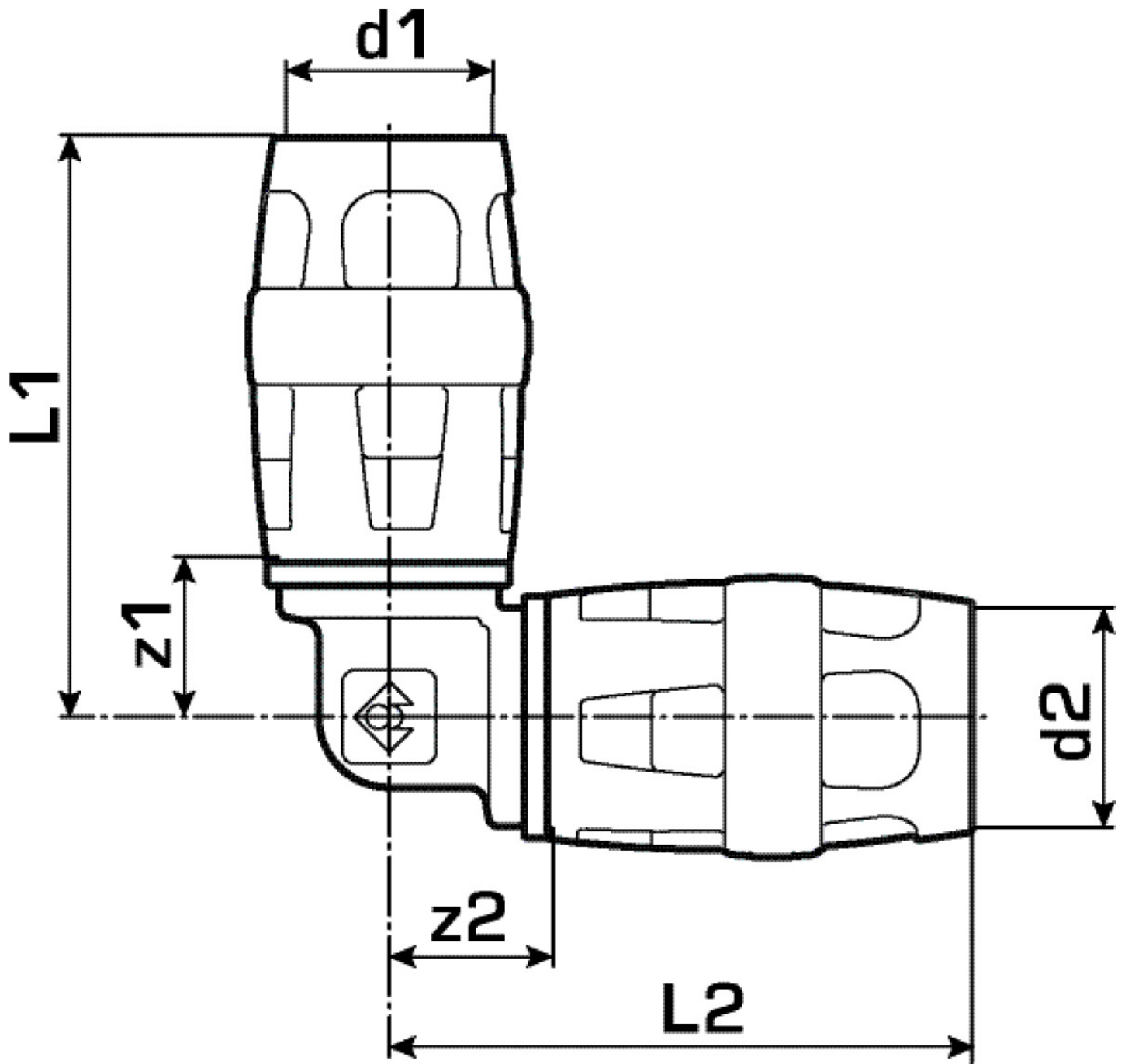
port 1	Plug-in
port 2	Plug-in
execution	Miscellaneous
design	Knee
angle	90 °

Technical properties

maximum working pressure at 20 ° C	10 bar
------------------------------------	--------

Product information

VPE1	10,00 SA1
VPE2	100,00 KT1
weight	0,090 KGM
text	KELOX-PROTEC CLIX elbow 90°
INTRNR	74122000
main material group	KELOX
material group	KELOX-PROtec pushfittings
code	KMP420X



Art. No	label	d1 mm	d2 mm	L1 mm	L2 mm	z1 mm	z2 mm
730103DD0	20	20	20	48	48	15	15