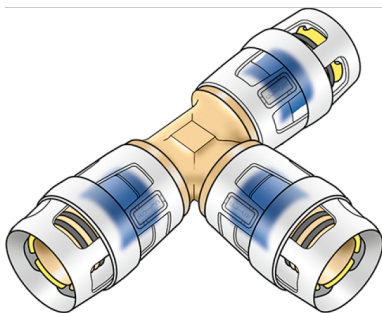


KELOX

KMP440X KELOX-PROTEC CLIX tee 20/20/20

730110DDD

Areas of application



?Push-in tee equal or reduced, made of dezincification-resistant brass (DZR), incl. push-on sleeve made of transparent polyamide with insertion click noise, as well as haptic and optical insertion indicator, O-rings, withdrawal barriers and a protector ring as an insertion locking device.

Approvals:



KE KELIT GmbH

A 4020 Linz, Ignaz-Mayer-Straße 17, Austria, Europe

PHONE +43 (0) 50 779 E-MAIL office@kekelit.com

www.kekelit.com

Specifications

Article information

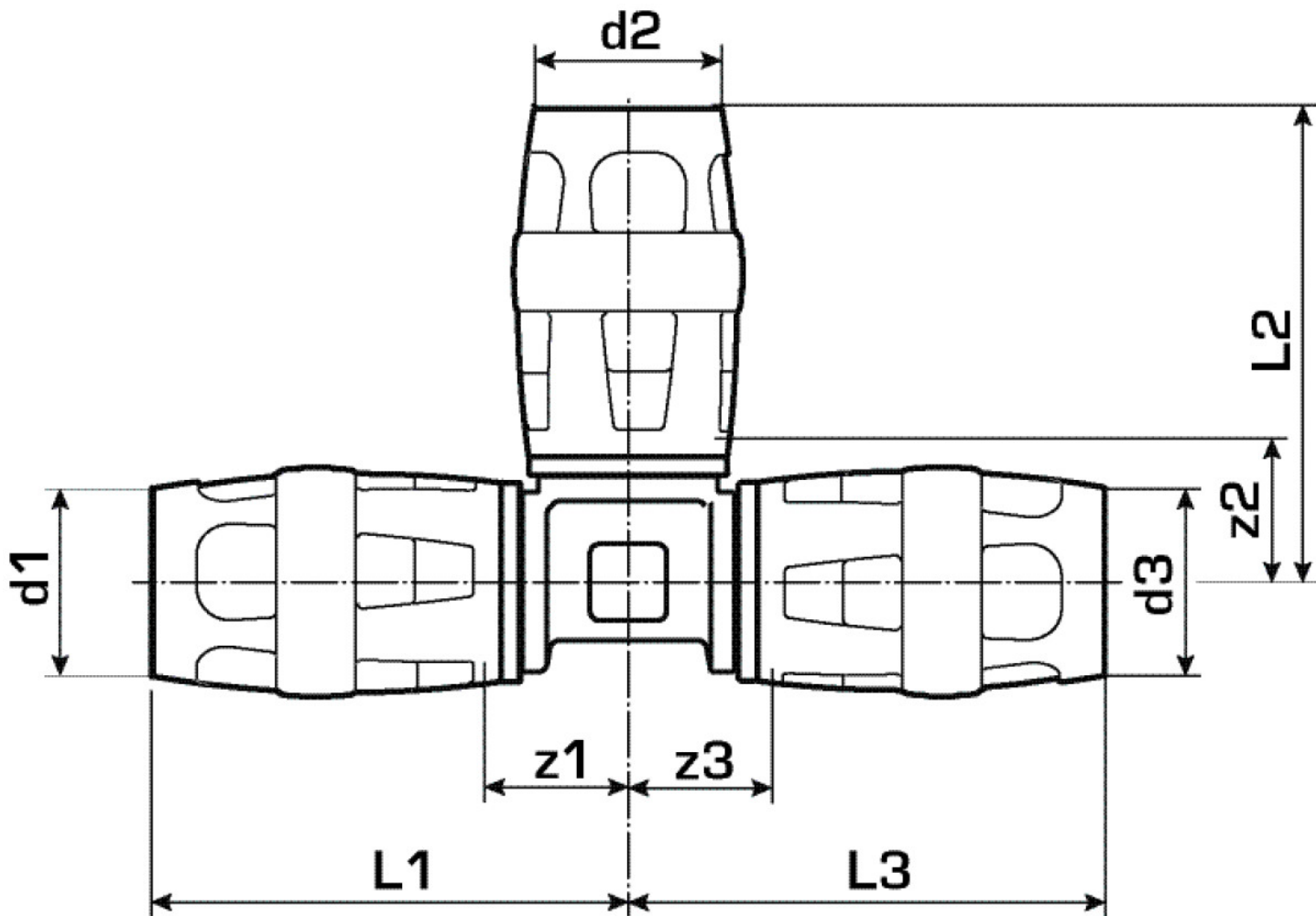
| | |
|-----------|-----------------------|
| port 1 | Plug-in |
| port 2 | Plug-in |
| port 3 | insert (push-fitting) |
| execution | Tee piece |
| angle | 90 ° |

Technical properties

| | |
|------------------------------------|--------|
| maximum working pressure at 20 ° C | 10 bar |
|------------------------------------|--------|

Product information

| | |
|---------------------|---------------------------|
| VPE1 | 10,00 SA1 |
| VPE2 | 80,00 KT1 |
| weight | 0,134 KGM |
| text | KELOX-PROTEC CLIX tee |
| INTRNR | 74122000 |
| main material group | KELOX |
| material group | KELOX-PROtec pushfittings |
| code | KMP440X |



| Art. No | label | d1 mm | d2 mm | d3 mm | L1 mm | L2 mm | L3 mm | z1 mm | z2 mm | z3 mm |
|----------|----------|-------|-------|-------|-------|-------|-------|-------|-------|-------|
| 730110DE | 20/20/20 | 20 | 20 | 20 | 49 | 49 | 49 | 16 | 16 | 16 |