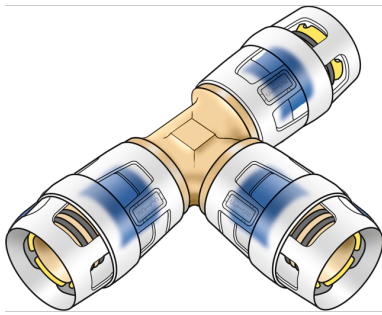


# KELOX

## KMP440ZX KELOX-PROTEC CLIX Zeta tee 20/20/20

730111DDD

### Areas of application



Zeta value-optimised plug-in tee equal or reduced, made of dezincification-resistant brass (DZR), including support sleeves with insertion click noise, as well as haptic and optical insertion indicator, O-rings, withdrawal barriers and a protector ring as an insertion locking device

### Approvals:



KE KELIT GmbH

A 4020 Linz, Ignaz-Mayer-Straße 17, Austria, Europe

PHONE +43 (0) 50 779 E-MAIL [office@kekelit.com](mailto:office@kekelit.com)

[www.kekelit.com](http://www.kekelit.com)

# Specifications

## Article information

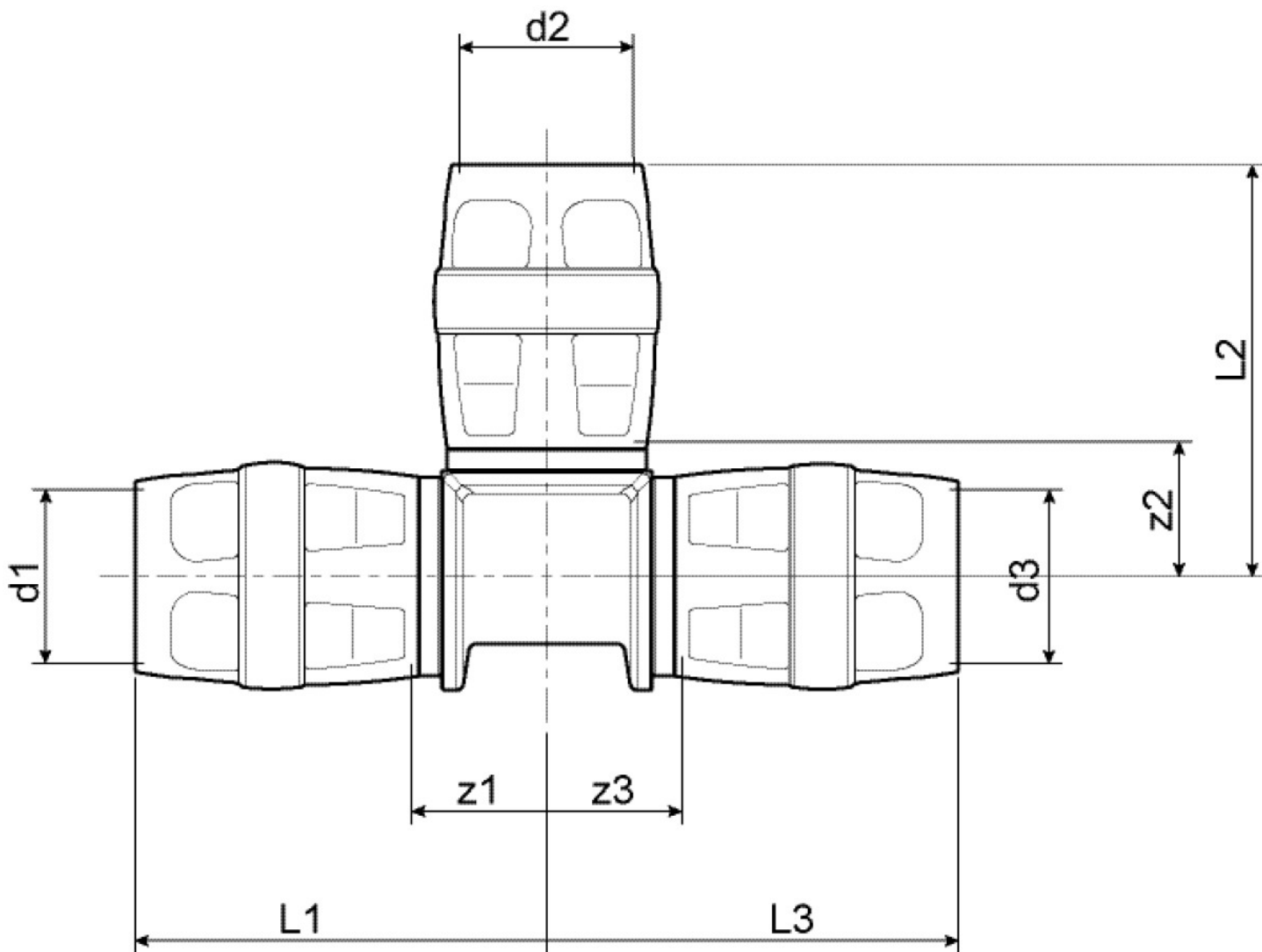
port 1	Plug-in
port 2	Plug-in
port 3	Plug-in
execution	Tee piece
angle	90 °

## Technical properties

maximum working pressure at 20 ° C	10 bar
------------------------------------	--------

## Product information

VPE1	10,00 SA1
VPE2	80,00 KT1
weight	0,025 KGM
text	KELOX-PROTEC CLIX Zeta tee
INTRNR	74122000
main material group	KELOX
material group	KELOX-PROtec pushfittings
code	KMP440ZX



Art. No	label	d1 mm	d2 mm	d3 mm	L1 mm	L2 mm	L3 mm	z1 mm	z2 mm	z3 mm
730111DE	20/20/20	20	20	20	48,5	48,5	48,5	15,5	15,5	15,5