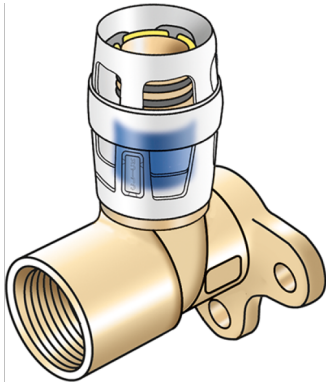


# KELOX

## KMP480ZX KELOX-PROTEC CLIX Zeta wall bracket fitting with female thread 16x1/2"

730252B02

### Areas of application



Zeta value-optimised plug-in wall bracket fitting with female thread, made of non-porous dezincification-resistant (DZR) brass, including support sleeves with insertion click noise, as well as haptic and optical insertion indicator, O-rings, withdrawal barriers and a protector ring as an insertion locking device

Overall height: 1/2" - 46 mm

DO NOT screw in threaded pipes and cast iron fittings!

## Approvals:



# Specifications

## Article information

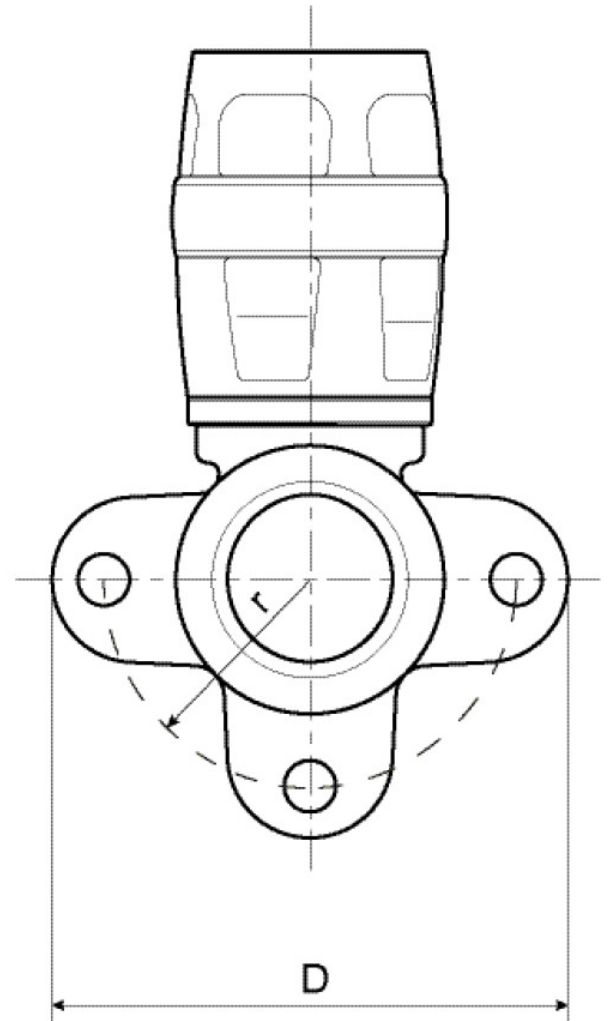
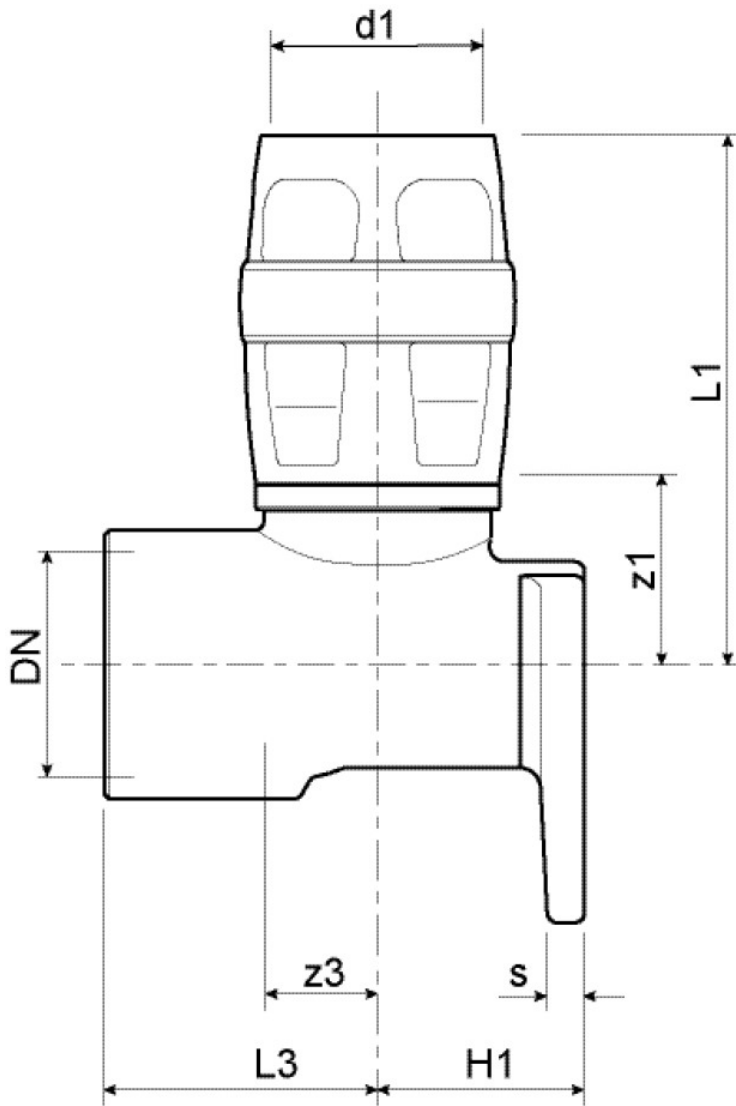
port 1	Plug-in
design	Continuously right-angled

## Technical properties

maximum working pressure at 20 ° C	10 bar
------------------------------------	--------

## Product information

VPE1	10,00 SA1
VPE2	80,00 KT1
weight	0,007 KGM
text	KELOX-PROTEC CLIX Zeta wall bracket fitting with female thread
INTRNR	74122000
main material group	KELOX
material group	KELOX-PROtec pushfittings
code	KMP480ZX



Art. No	label	d1 mm	L1 mm	L3 mm	z1 mm	z3 mm
730252B02	16x1/2"	16	26	51	11	18