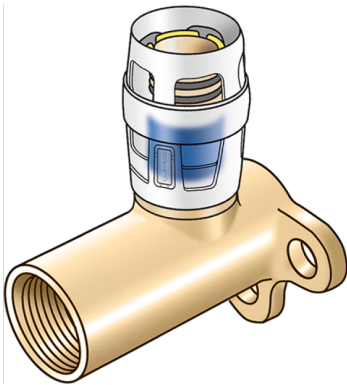


# KELOX

## KMP480LX KELOX-PROTEC CLIX wall bracket fitting with female thread 20mm 16x1/2"

730251B02

### Areas of application



Plug-in wall bracket fitting with female thread extended by 20mm, made of dezincification-resistant (DZR) brass, including support sleeves with insertion click noise, as well as haptic and optical insertion indicator,

O-rings, withdrawal barriers and protector ring as insertion locking device

Overall height: 1/2" - 66mm

DO NOT screw in threaded pipes and cast iron fittings!

## Approvals:



# Specifications

## Article information

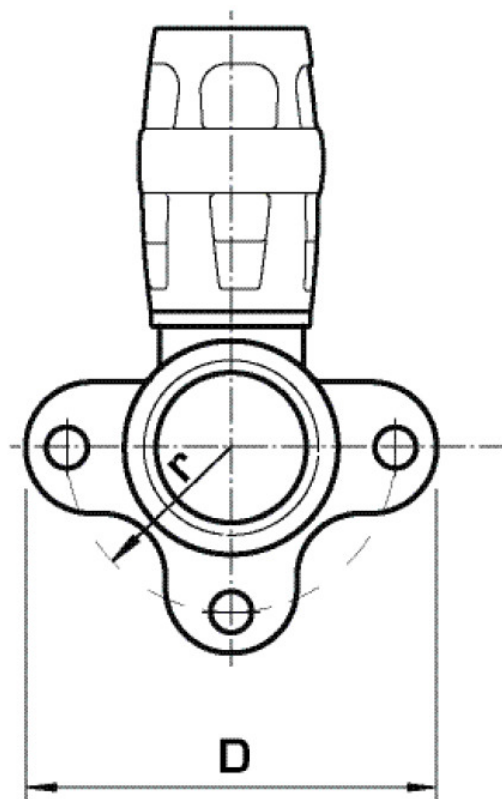
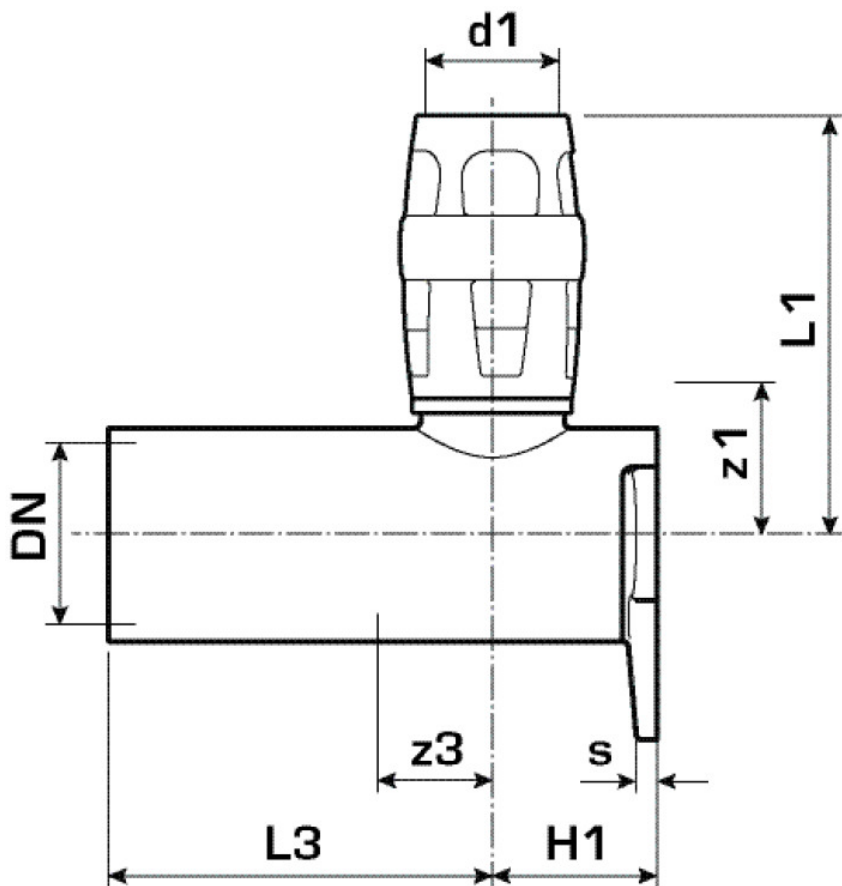
|        |                           |
|--------|---------------------------|
| port 1 | Plug-in                   |
| design | Continuously right-angled |

## Technical properties

|                                    |        |
|------------------------------------|--------|
| maximum working pressure at 20 ° C | 10 bar |
|------------------------------------|--------|

## Product information

|                     |  |
|---------------------|--|
| VPE1                | 10,00 SA1  |
| VPE2                | 60,00 KT1  |
| weight              | 0,189 KGM  |
| text                | KELOX-PROTEC CLIX wall bracket fitting with female thread 20mm |
| INTRNR              | 74122000   |
| main material group | KELOX  |
| material group      | KELOX-PROtec pushfittings                                      |
| code                | KMP480LX   |



| Art. No   | label   | d1 mm | L1 mm | L3 mm | z1 mm | z3 mm |
|-----------|---------|-------|-------|-------|-------|-------|
| 730251B02 | 16x1/2" | 16    | 46    | 51    | 11    | 18    |