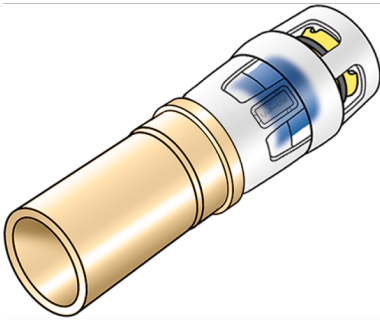


KELOX

KMP489X KELOX-PROTEC CLIX - STEELFIX adapter 16/15

730272BB0

Areas of application



Press/push-in adapter, straight, from Steelfix, Copperfix pipe size to KELOX-PROTEC - push-in sleeve made of red brass, incl. support sleeves with insertion click noise, as well as haptic and optical insertion indicator, O-rings, withdrawal barriers and a protector ring as an insertion locking device

ATTENTION! Connection to pipe end only suitable as a compression fitting or press-fit connection!

Approvals:



Specifications

Article information

| | |
|--------|---------------|
| port 1 | Plug-in |
| port 2 | Miscellaneous |
| design | Straight |

Technical properties

| | |
|------------------------------------|--------|
| maximum working pressure at 20 ° C | 10 bar |
|------------------------------------|--------|

Product information

| | |
|---------------------|--------------------------------------|
| VPE1 | 10,00 SA1 |
| VPE2 | 160,00 KT1 |
| weight | 0,044 KGM |
| text | KELOX-PROTEC CLIX - STEELFIX adapter |
| INTRNR | 74122000 |
| main material group | KELOX |
| material group | KELOX-PROtec pushfittings |
| code | KMP489X |



| Art. No | label | d1 mm | d2 mm | L1 mm | L2 mm | z1 mm | z2 mm |
|-----------|-------|-------|-------|-------|-------|-------|-------|
| 730272BB0 | 16/15 | 16 | 15 | 47 | 24 | 14 | 4 |