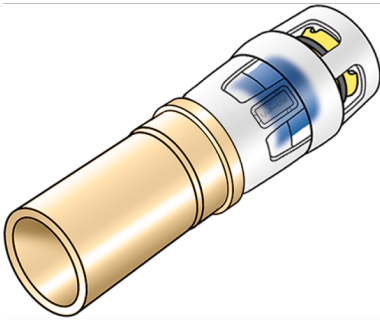


# KELOX

## KMP489X KELOX-PROTEC CLIX - STEELFIX adapter 32/28

730272EF0

### Areas of application



Press/push-in adapter, straight, from Steelfix, Copperfix pipe size to KELOX-PROTEC - push-in sleeve made of red brass, incl. support sleeves with insertion click noise, as well as haptic and optical insertion indicator, O-rings, withdrawal barriers and a protector ring as an insertion locking device

ATTENTION! Connection to pipe end only suitable as a compression fitting or press-fit connection!

## Approvals:



# Specifications

## Article information

port 1	Plug-in
port 2	Miscellaneous
design	Straight

## Technical properties

maximum working pressure at 20 ° C	10 bar
------------------------------------	--------

## Product information

VPE1	10,00 SA1
VPE2	60,00 KT1
weight	0,142 KGM
text	KELOX-PROTEC CLIX - STEELFIX adapter
INTRNR	74122000
main material group	KELOX
material group	KELOX-PROtec pushfittings
code	KMP489X



Art. No	label	d1 mm	d2 mm	L1 mm	L2 mm	z1 mm	z2 mm
730272EF0	32/28	32	28	55	23	15	4