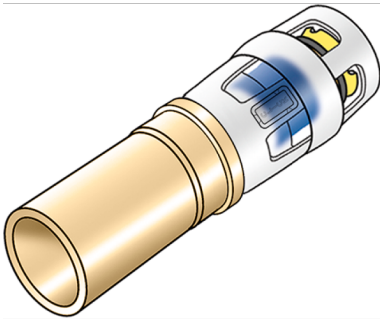


# KELOX

## KMP489X KELOX-PROTEC CLIX - STEELFIX adapter 32/42

730272GF0

### Areas of application



Press/push-in adapter, straight, from Steelfix, Copperfix pipe size to KELOX-PROTEC - push-in sleeve made of red brass, incl. support sleeves with insertion click noise, as well as haptic and optical insertion indicator, O-rings, withdrawal barriers and a protector ring as an insertion locking device

ATTENTION! Connection to pipe end only suitable as a compression fitting or press-fit connection!

## Approvals:



# Specifications

## Article information

|        |                         |
|--------|-------------------------|
| port 1 | Einsteck (Push-Fitting) |
| port 2 | Zapfen/Rohrende         |
| design | gerade                  |

## Technical properties

|                                    |        |
|------------------------------------|--------|
| maximum working pressure at 20 ° C | 10 bar |
|------------------------------------|--------|

## Product information

|                     |                                      |
|---------------------|--------------------------------------|
| VPE1                | 10,00 SA1                            |
| VPE2                | 60,00 KT1                            |
| weight              | 0,013 KGM                            |
| text                | KELOX-PROTEC CLIX - STEELFIX adapter |
| INTRNR              | 74122000                             |
| main material group | KELOX                                |
| material group      | KELOX-PROtec pushfittings            |
| code                | KMP489X                              |



| Art. No   | label | d1 mm | d2 mm | L1 mm | L2 mm | z1 mm | z2 mm |
|-----------|-------|-------|-------|-------|-------|-------|-------|
| 730272GF0 | 32/42 | 32    | 42    | 43    | 45    | 4     | 15    |