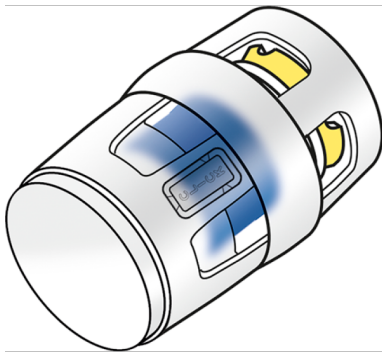


KELOX

KWP471X KELOX-PROTEC CLIX PPSU end cap 16

730620B00

Areas of application



End cap made of PPSU incl. support sleeves, with insertion click noise, as well as haptic and optical insertion indicator, O-rings, withdrawal barriers and a protector ring as an insertion locking device

Approvals:



KE KELIT GmbH

A 4020 Linz, Ignaz-Mayer-Straße 17, Austria, Europe

PHONE +43 (0) 50 779 E-MAIL office@kekelit.com

www.kekelit.com

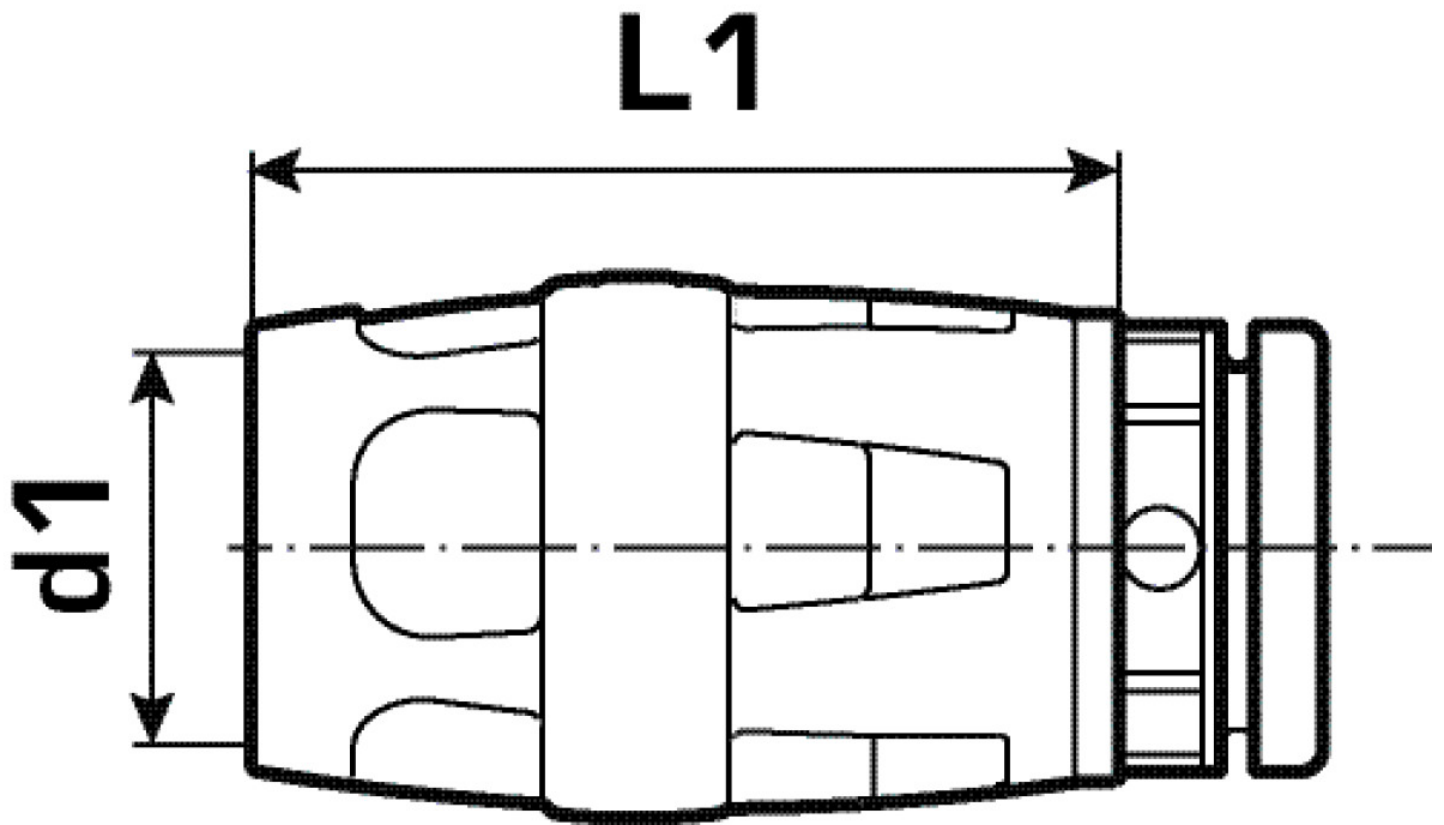
Specifications

Article information

port 1 Plug-in

Product information

VPE1	10,00 SA1
VPE2	200,00 KT1
weight	0,014 KGM
text	KELOX-PROTEC CLIX PPSU end cap
INTRNR	39174000
main material group	KELOX
material group	KELOX-PROtec-PPSU pushfittings
code	KWP471X



Art. No	label	d1 mm	L1 mm
730620B00	16	16	36