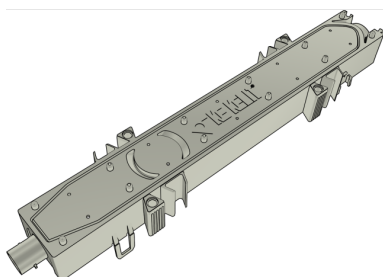


CLIMATE FIX

KC630 ?CLIMATEFIX formwork
protector/unthreading element 320x60x35

6353700

Areas of application

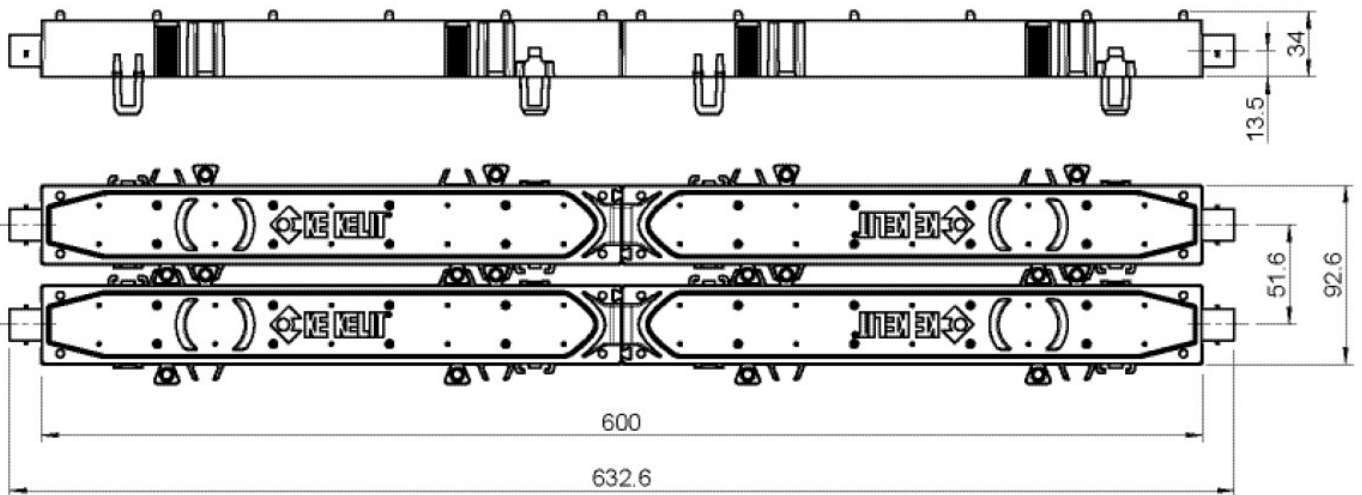
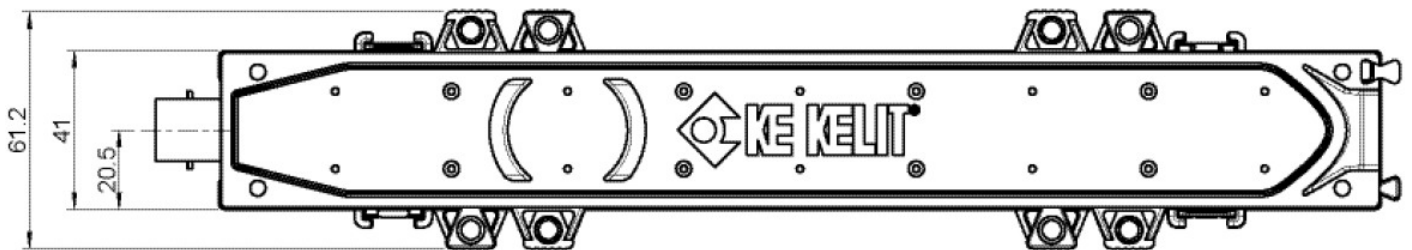
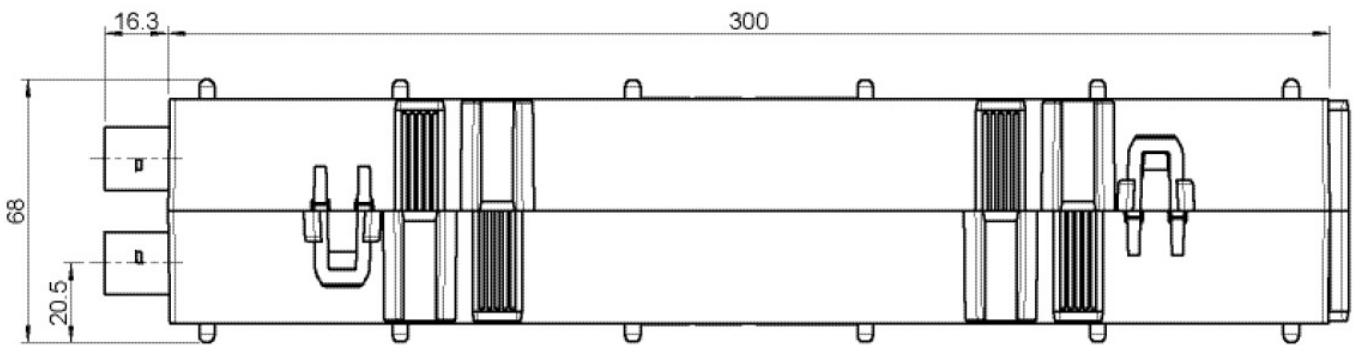
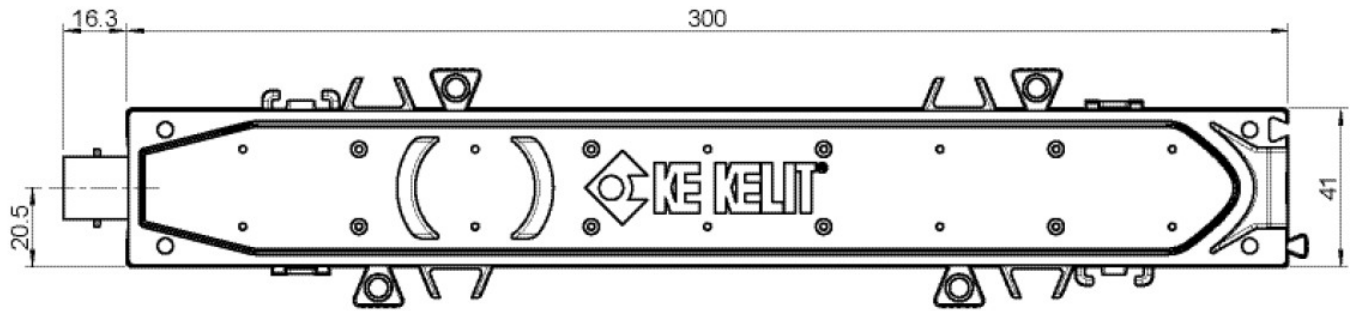
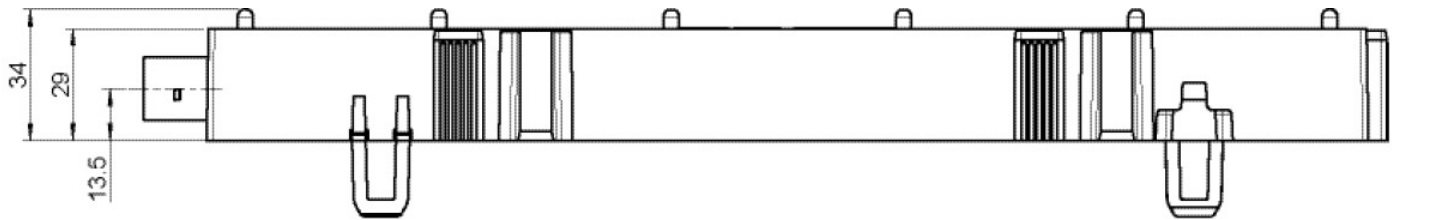


?Plastic box as formwork protector/unthreading element for inserting a KELOX connection pipe in near-surface ceiling modules attached to a formwork, or as unthreading element in prefabricated finished elements (2 pieces necessary) for formwork-protecting installation of CLIMATEFIX near-surface ceiling modules.

Specifications

Product information

VPE1	12,00 KT1
weight	0,084 KGM
text	?CLIMATEFIX formwork protector/unthreading element
INTRNR	39161000
main material group	CLIMATEFIX
material group	CLIMATEFIX fittings
code	KC630



KE KELIT GmbH

A 4020 Linz, Ignaz-Mayer-Straße 17, Austria, Europe

PHONE +43 (0) 50 779 E-MAIL office@kekelit.com

www.kekelit.com

Art. No	label
6353700	320x60x35



KE KELIT GmbH
A 4020 Linz, Ignaz-Mayer-Straße 17, Austria, Europe
PHONE +43 (0) 50 779 **E-MAIL** office@kekelit.com
www.kekelit.com