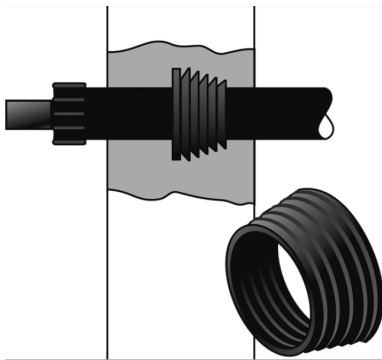


KELIT P

P7100 KELIT house infeed

3559998

Areas of application



House lead-in or wall ducts (sealing ring) made of neoprene, for watertight pipe ducts with normal soil water. In the case of higher (pressing) groundwater, we recommend using PEX77 annular seals.

Specifications

Product information

| | |
|----------------------------|---------------------------------|
| casing DA | 76 (70) |
| VPE1 | 1,00 STK |
| weight | 0,190 KGM |
| text | KELIT house infeed |
| INTRNR | 39174000 |
| main material group | KELIT P |
| material group | KELIT P sleeves and accessories |
| code | P7100 |

Art. No

3559998