

# KELOX

## KM130 KELOX plus pipe - 9mm 20x2.25

7521202

### Areas of application



?KELOX multilayer pipe conforming to ÖNORM EN ISO 21003, oxygen- and water vapour diffusion-tight 5-layer PE-RT/Al/PE-RT composite pipe, with factory-applied 9mm closed-cell soft foam insulation and jacket made of viscoplastic PE film

Classification of operating conditions according to ÖNORM EN ISO 21003

Sanitary application - Class 2: 70°C - tmax 80°C/10 bar

Radiator connection - Class 5: 80°C - tmax 90°C/10 bar

Insulation thickness: 9mm

Colour: red

Supplied in coils



KE KELIT GmbH

A 4020 Linz, Ignaz-Mayer-Straße 17, Austria, Europe

PHONE +43 (0) 50 779 E-MAIL [office@kekelit.com](mailto:office@kekelit.com)

[www.kekelit.com](http://www.kekelit.com)

## Approvals:



# Specifications

## Article information

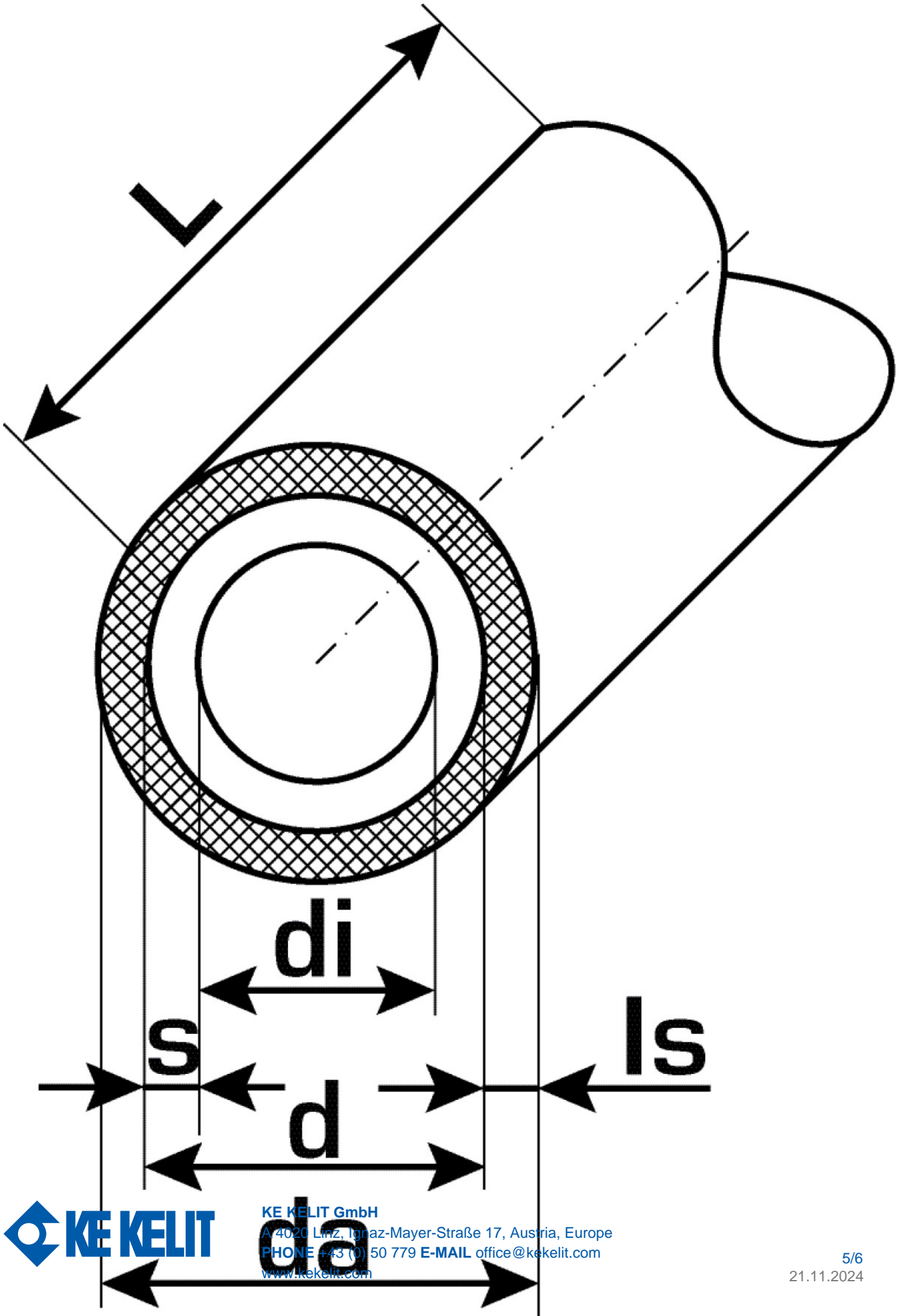
<b>color</b>	White
<b>colour isolation</b>	Red
<b>flexible</b>	1
<b>isolation</b>	1

## Technical properties

<b>maximum working pressure at 20 ° C</b>	10 bar
<b>thick thermal insulation</b>	9 mm
<b>pipe weight</b>	0,23 kg/m
<b>pipe contents</b>	0,189 l/m
<b>lambda pipe</b>	0,45 W/(m.K)
<b>wall rawness</b>	0,007 mm
<b>expansion coefficient</b>	0,025 mm/(m.K)

## Product information

VPE1	100,00 ROL
VPE2	700,00 PAL
L	100 m
weight	0,230 KGM
text	KELOX plus pipe - 9mm
INTRNR	39173900
main material group	KELOX
material group	KELOX isolierte pipes
code	KM130



Art. No	label	d1 mm	d Jacket tube mm	pipe contents l/m	s mm
7521202	20x2.25	20	38	0,189	2,25



**KE KELIT GmbH**

A 4020 Linz, Ignaz-Mayer-Straße 17, Austria, Europe

**PHONE** +43 (0) 50 779 **E-MAIL** [office@kekelit.com](mailto:office@kekelit.com)

[www.kekelit.com](http://www.kekelit.com)