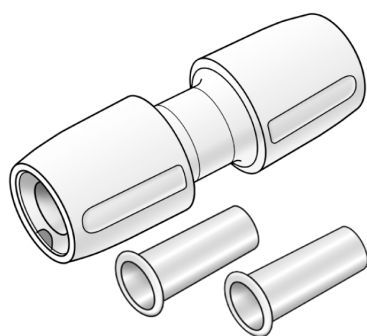


CLIMATE FIX

KC411 CLIMATEFIX push-connector PE pipe 10/10

6351200

Areas of application



Push-in connector for CLIMATEFIX PE plastic pipes, incl. EPDM sealing components, pull-out barriers and stainless steel support sleeves for PE pipes 10mm

Specifications

Product information	
VPE1	2,00 SA1
VPE2	50,00 KT1
weight	0,057 KGM
text	CLIMATEFIX push-connector PE pipe
INTRNR	39174000
main material group	CLIMATEFIX
material group	CLIMATEFIX fittings
code	KC411

Art. No	label
6351200	10/10