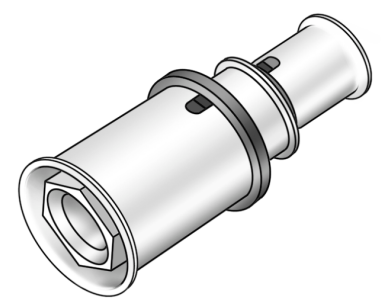


CLIMATE FIX

KCU410 CLIMATEFIX coupling 12/12

6351310

Areas of application



?Press coupling equal or reduced, made of non-porous metal-plated brass, incl. support sleeves with O-rings and stainless steel pressing sleeves. "Leak before pressed"

Specifications

Article information

port 1	Pressmuffe
design	gerade
press contour	U

Product information

VPE1	10,00 SA1
VPE2	100,00 KT1
weight	0,018 KGM
text	CLIMATEFIX coupling
INTRNR	74122000
main material group	CLIMATEFIX
material group	CLIMATEFIX fittings
code	KCU410

Art. No	label
6351310	12/12