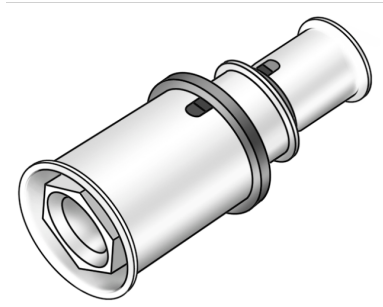


# CLIMATE FIX

## KCU410 CLIMATEFIX coupling 20/12

6351360

### Areas of application



?Press coupling equal or reduced, made of non-porous metal-plated brass, incl. support sleeves with O-rings and stainless steel pressing sleeves. "Leak before pressed"

# Specifications

## Article information

<b>port 1</b>	Pressmuffe
<b>design</b>	gerade
<b>press contour</b>	U

## Product information

<b>VPE1</b>	10,00 SA1
<b>VPE2</b>	80,00 KT1
<b>weight</b>	0,042 KGM
<b>text</b>	CLIMATEFIX coupling
<b>INTRNR</b>	74122000
<b>main material group</b>	CLIMATEFIX
<b>material group</b>	CLIMATEFIX fittings
<b>code</b>	KCU410

<b>Art. No</b>	<b>label</b>
6351360	20/12