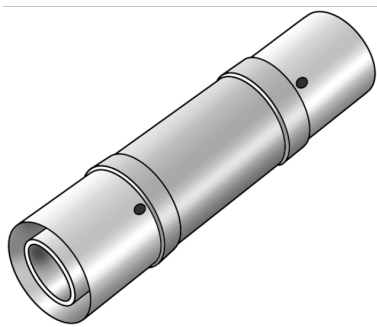


# KELOX

## KM415 KELOX repair coupling 32/32

9453200

### Areas of application



?Press coupling, equal, made of non-porous metallised brass, incl. support sleeves with O-rings and stainless steel press-fit sleeves

### Approvals:



KE KELIT GmbH

A 4020 Linz, Ignaz-Mayer-Straße 17, Austria, Europe

PHONE +43 (0) 50 779 E-MAIL [office@kekelit.com](mailto:office@kekelit.com)

[www.kekelit.com](http://www.kekelit.com)

# Specifications

## Article information

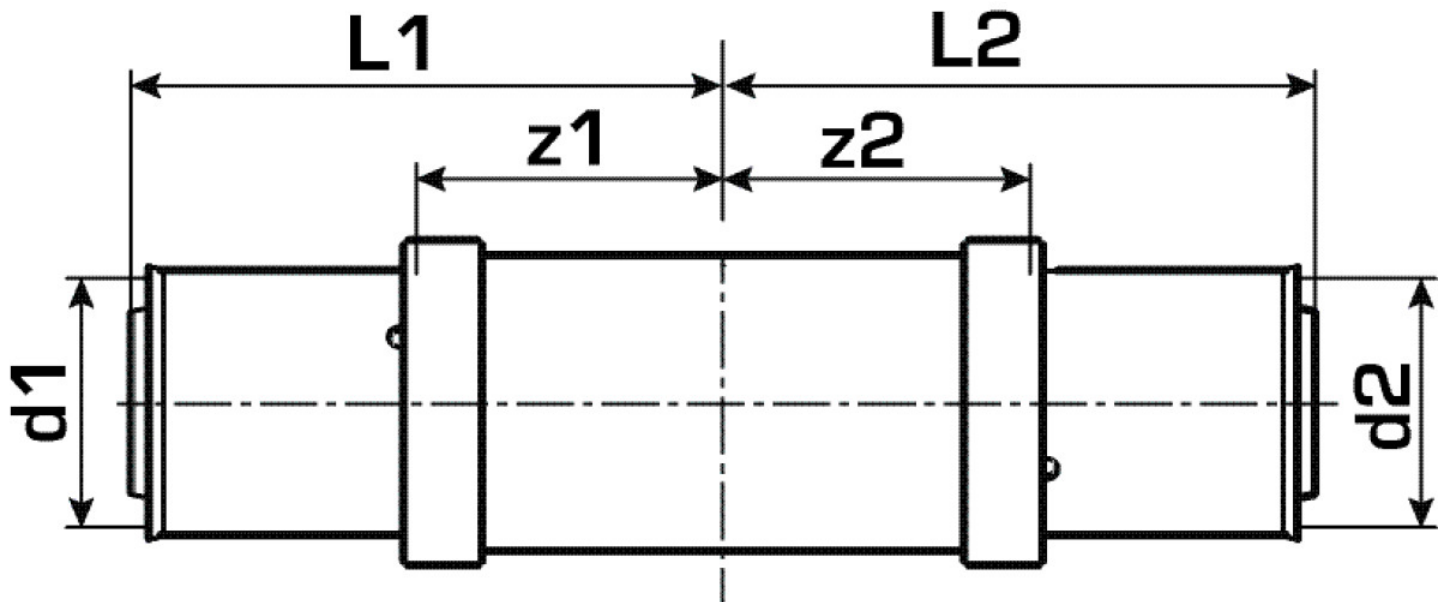
port 1	Pressing socket
port 2	Pressing socket
execution	1-part
design	Miscellaneous
press contour	U

## Technical properties

maximum working pressure at 20 ° C	10 bar
------------------------------------	--------

## Product information

VPE1	2,00 KT1
weight	0,380 KGM
text	KELOX repair coupling
INTRNR	74122000
main material group	KELOX
material group	KELOX metal fittings
code	KM415



Art. No	label	d1 mm	d2 mm	L1 mm	L2 mm	z1 mm	z2 mm
9453200	32/32	32	32	62	62	30	30