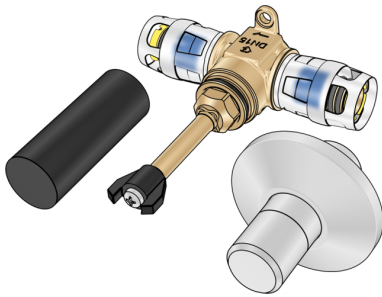


# KELOX

## KMP452UV KELOX PROTEC flush-mounted valve 20-DN15

73234DD0

### Areas of application



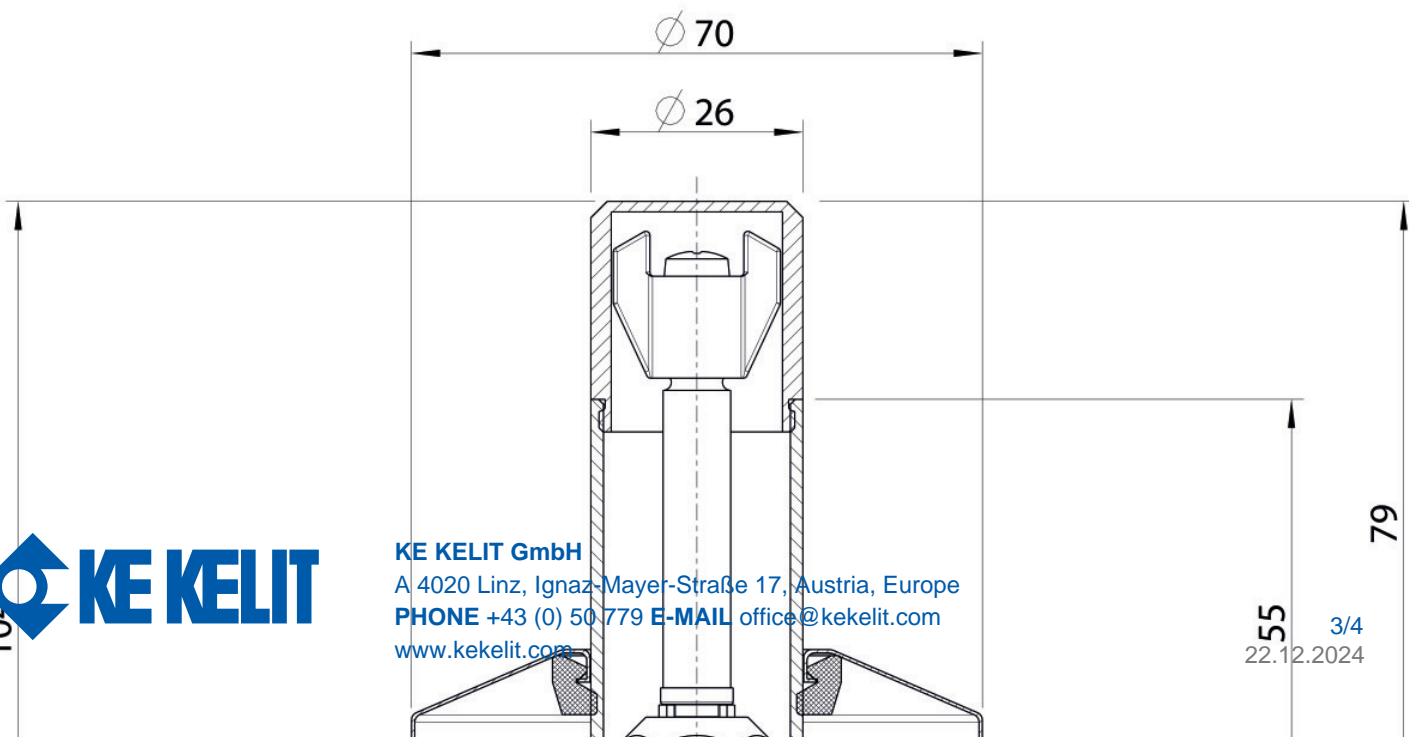
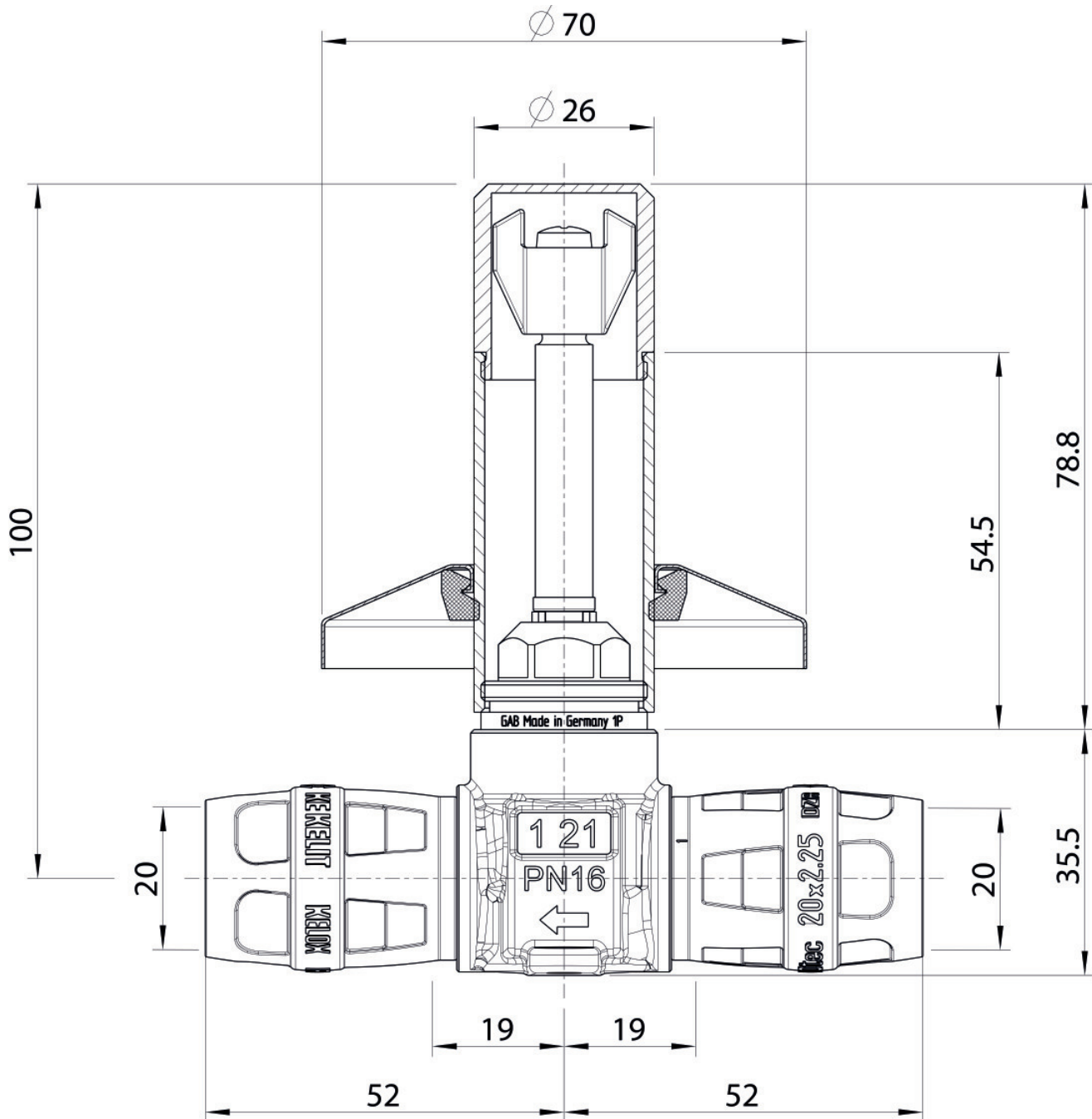
Flush-mounted valve with PROTEC plug-in coupling, flow-optimised valve housing made from red brass PN16, incl. top part free of dead space, chrome-plated end cap, rosette and protection cap

### Approvals:



# Specifications

Product information	
VPE1	1,00 SA1
VPE2	10,00 KT1
weight	0,399 KGM
text	KELOX PROTEC flush-mounted valve
INTRNR	74122000
main material group	KELOX
material group	KELOX-PROtec pushfittings
code	KMP452UV



Art. No	label
73234DD0	20-DN15



**KE KELIT GmbH**

A 4020 Linz, Ignaz-Mayer-Straße 17, Austria, Europe

**PHONE** +43 (0) 50 779 **E-MAIL** [office@kekelit.com](mailto:office@kekelit.com)

[www.kekelit.com](http://www.kekelit.com)