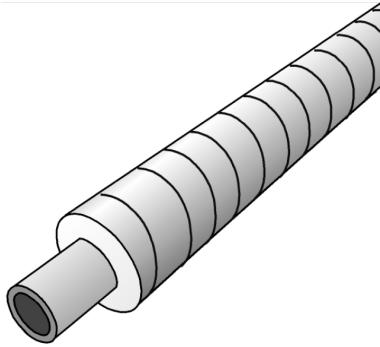


CF1000 STEELFIX-CX carbon steel pipe 76.1x2.0

3000135

Areas of application



Pre-insulated carbon steel piping system

Medium pipe: Thin-walled, longitudinally welded stainless steel pipes according to EN 10305-3 with a particularly low carbon content and with the outside protected by a thermally applied zinc layer and a passivating/chromium layer

Area of application: closed heating and cooling circuits

Operating temperature: - 35°C to 120°C/16 bar - tmax 150°C - short-term

Insulation: PUR rigid foam, jacket pipe: 0.6 mm galvanised folded spiral sheet metal

Length: 6m

Specifications

| Product information | |
|----------------------------|---|
| casing DA | 140 |
| VPE1 | 6,00 STG |
| L | 6 m |
| weight | 7,790 KGM |
| text | STEELFIX-CX carbon steel pipe |
| INTRNR | 73065080 |
| main material group | STEELFIX CX/PE |
| material group | STEELFIX CX/PE C-Stahl pipes and fittings |
| code | CF1000 |

| Art. No | label |
|---------|----------|
| 3000135 | 76.1x2.0 |