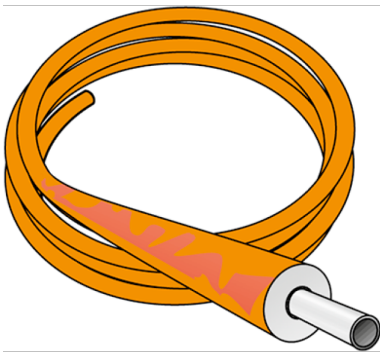


# KELOX

## KM133 KELOX plus pipe - 13mm 25x2.5

75212513

### Areas of application



?KELOX multilayer pipe conforming to ÖNORM EN ISO 21003, oxygen- and water vapour diffusion-tight 5-layer PE-RT/Al/PE-RT composite pipe, with factory-applied 13mm closed-cell soft foam insulation and jacket made of viscoplastic PE film

Classification of operating conditions according to ÖNORM EN ISO 21003

Sanitary application - Class 2: 70°C - tmax 80°C/10 bar

Radiator connection - Class 5: 80°C - tmax 90°C/10 bar

Insulation thickness: 13mm

Colour: orange

Supplied in coils



KE KELIT GmbH

A 4020 Linz, Ignaz-Mayer-Straße 17, Austria, Europe

PHONE +43 (0) 50 779 E-MAIL [office@kekelit.com](mailto:office@kekelit.com)

[www.kekelit.com](http://www.kekelit.com)

## Approvals:



# Specifications

## Article information

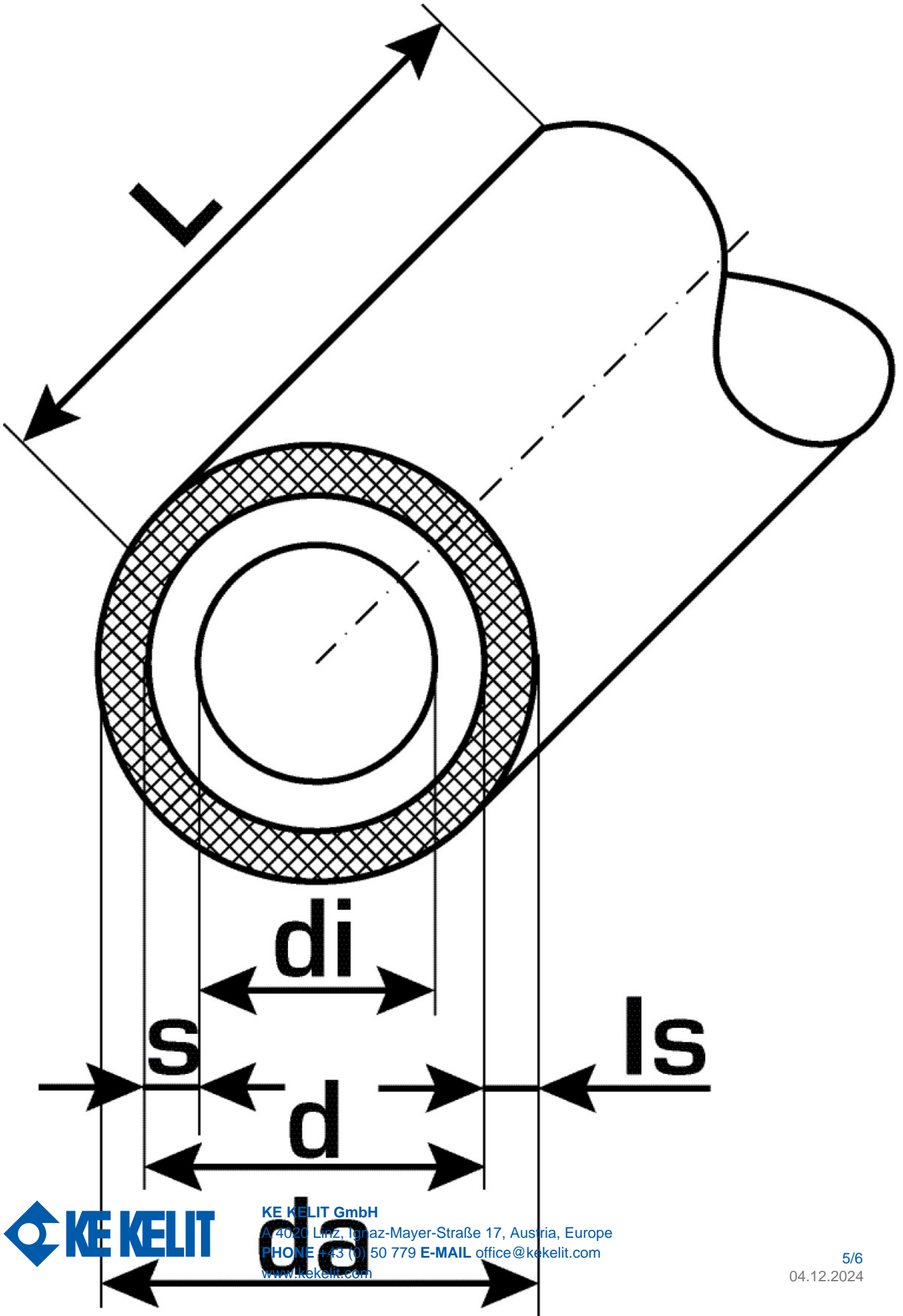
|                         |        |
|-------------------------|--------|
| <b>color</b>            | White  |
| <b>colour isolation</b> | Orange |
| <b>flexible</b>         | 1      |
| <b>isolation</b>        | 1      |

## Technical properties

|   |                |
|---|----------------|
| <b>maximum working pressure at 20 ° C</b> | 10 bar         |
| <b>thick thermal insulation</b>           | 13 mm          |
| <b>pipe weight</b>                        | 0,36 kg/m      |
| <b>pipe contents</b>                      | 0,314 l/m      |
| <b>lambda pipe</b>                        | 0,45 W/(m.K)   |
| <b>wall rawness</b>                       | 0,007 mm       |
| <b>expansion coefficient</b>              | 0,025 mm/(m.K) |

## Product information

|                     |                        |
|---------------------|------------------------|
| VPE1                | 25,00 ROL              |
| VPE2                | 325,00 PAL             |
| L                   | 25 m                   |
| weight              | 0,336 KGM              |
| text                | KELOX plus pipe - 13mm |
| INTRNR              | 39173900               |
| main material group | KELOX                  |
| material group      | KELOX isolierte pipes  |
| code                | KM133                  |



| Art. No  | label  | d1 mm | d Jacket tube mm | pipe contents l/m | s mm |
|----------|--------|-------|------------------|-------------------|------|
| 75212513 | 25x2.5 | 25    | 51               | 0,314             | 2,5  |



**KE KELIT GmbH**

A 4020 Linz, Ignaz-Mayer-Straße 17, Austria, Europe

**PHONE** +43 (0) 50 779 **E-MAIL** [office@kekelit.com](mailto:office@kekelit.com)

[www.kekelit.com](http://www.kekelit.com)