

KELOX

KMU134 KELOX-ULTRAX protective-jacket pipe 20x2.25

7021204

Areas of application



?KELOX-ULTRAX multilayer pipe for CLIMATEFIX conforming to ÖNORM EN ISO 21003, an oxygen-tight and water vapour diffusion-resistant 5-layer PE-RT/Al/PE-RT composite pipe, with a factory-applied protective cover made of visco-plastic PE film

Application area: 60°C - tmax 70°C/10 bar

Protective jacket thickness: 4mm

Colour: green

Supplied in coils

ATTENTION: This is NOT a drinking water and radiator connection pipe!

Approvals:



Specifications

Article information

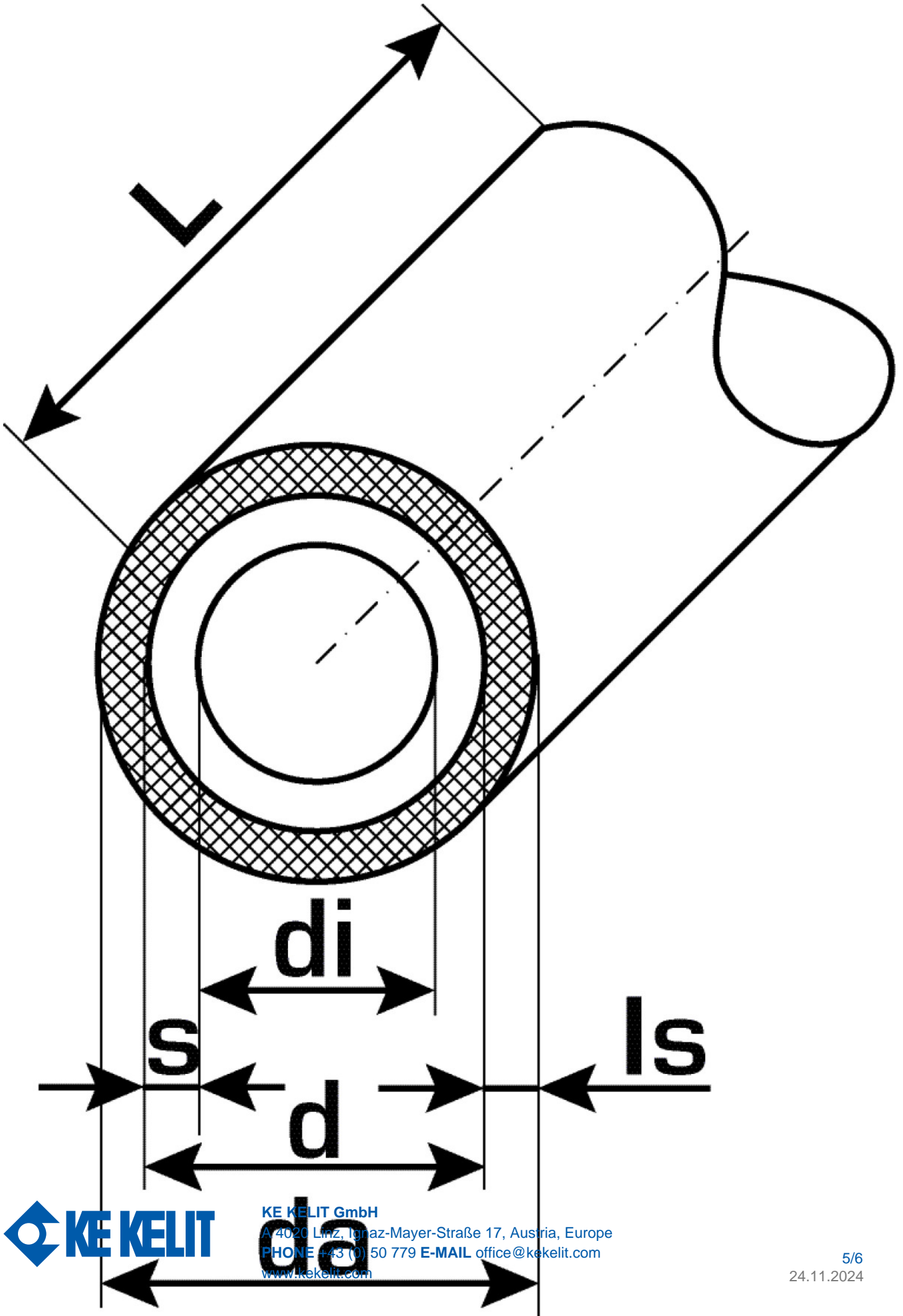
| | |
|-------------------------|-------|
| color | White |
| colour isolation | Green |
| flexible | 1 |
| isolation | 1 |

Technical properties

| | |
|---|----------------|
| maximum working pressure at 20 ° C | 10 bar |
| thick thermal insulation | 4 mm |
| pipe weight | 0,19 kg/m |
| pipe contents | 0,189 l/m |
| lambda pipe | 0,45 W/(m.K) |
| wall rawness | 0,007 mm |
| expansion coefficient | 0,025 mm/(m.K) |

Product information

| | |
|---------------------|-------------------------------------|
| VPE1 | 50,00 ROL |
| VPE2 | 850,00 PAL |
| L | 50 m |
| weight | 0,169 KGM |
| text | KELOX-ULTRAX protective-jacket pipe |
| INTRNR | 39173900 |
| main material group | KELOX |
| material group | KELOX-ULTRAX insulated pipes |
| code | KMU134 |



| Art. No | label | d1 mm | d Jacket tube mm | pipe contents l/m | s mm |
|---------|---------|-------|------------------|-------------------|------|
| 7021204 | 20x2.25 | 20 | 28 | 0,189 | 2,25 |



KE KELIT GmbH

A 4020 Linz, Ignaz-Mayer-Straße 17, Austria, Europe

PHONE +43 (0) 50 779 **E-MAIL** office@kekelit.com

www.kekelit.com