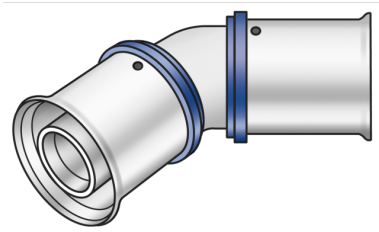


KELOX

KMU425 KELOX-ULTRAX elbow 45° 75

71106JJ0

Areas of application



Press elbow adapter 45° for changing direction with a minimal radius, made of non-porous metallised brass, incl. support sleeves with O-rings and stainless steel press-fit sleeves, "leak before pressed"

Approvals:



Specifications

Article information

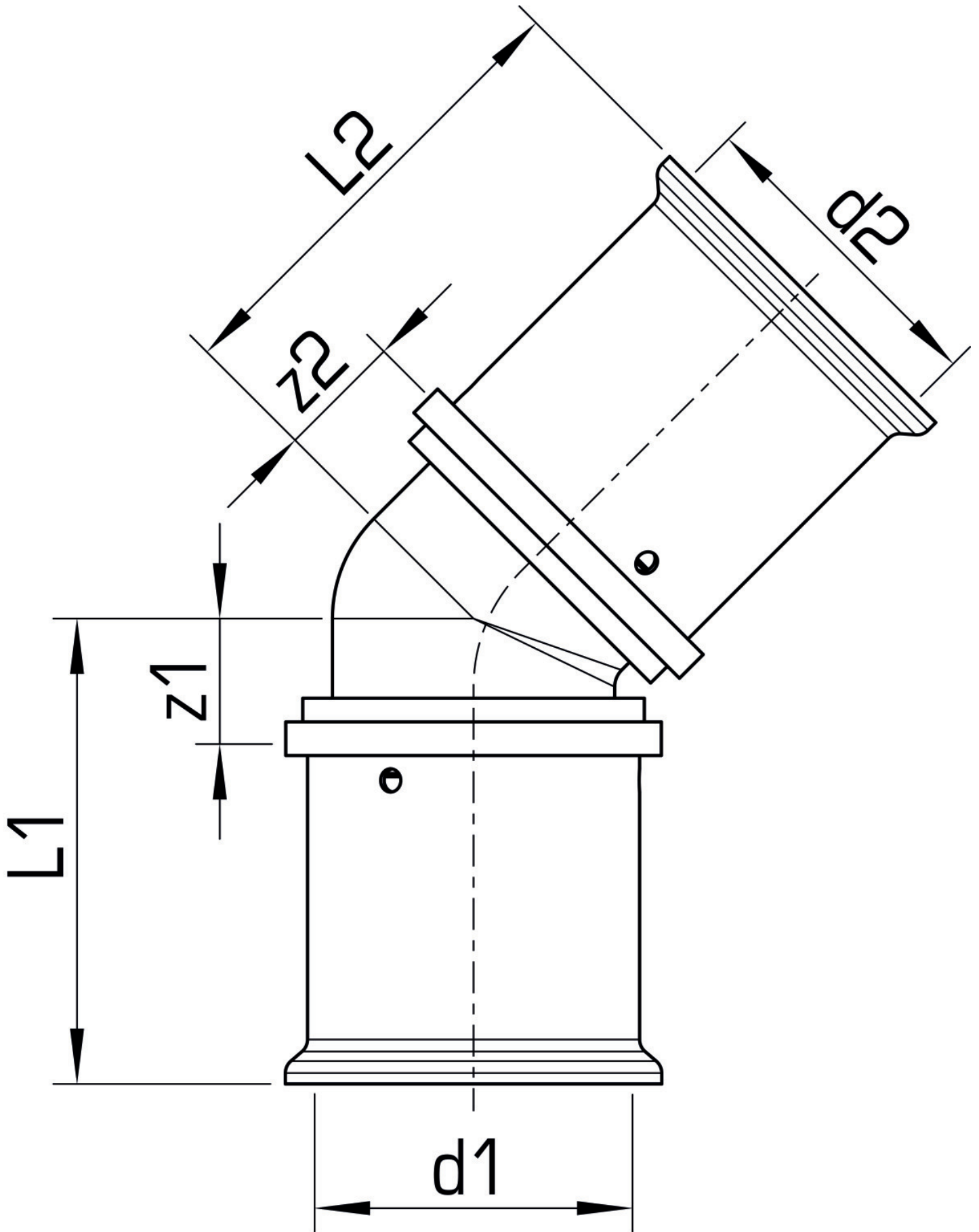
port 1	Pressmuffe
port 2	Pressmuffe
execution	1-part
design	Winkel
angle	45 °
press contour	U

Technical properties

maximum working pressure at 20 ° C	16 bar
------------------------------------	--------

Product information

VPE1	1,00 SA1
VPE2	4,00 KT1
weight	3,080 KGM
text	KELOX-ULTRAX elbow 45°
INTRNR	74122000
main material group	KELOX
material group	KELOX-ULTRAX metal fittings
code	KMU425



Art. No	label	d1 mm	d2 mm	L1 mm	L2 mm	z1 mm	z2 mm
71106JJ0	75	75	75	93	93	29	29



KE KELIT GmbH

A 4020 Linz, Ignaz-Mayer-Straße 17, Austria, Europe

PHONE +43 (0) 50 779 **E-MAIL** office@kekelit.com

www.kekelit.com