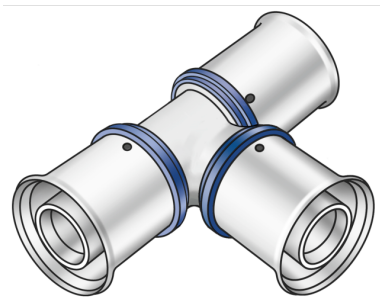


# KELOX

## KMU440Z ?KELOX-ULTRAX zeta tee piece 25/25/25

71111EEE

### Areas of application



?Zeta-optimised press-fit tee, equal or reduced, made of non-porous metallised brass, incl. support sleeves with O-rings and stainless steel pressing sleeves, "leak before pressed"

### Approvals:



# Specifications

## Article information

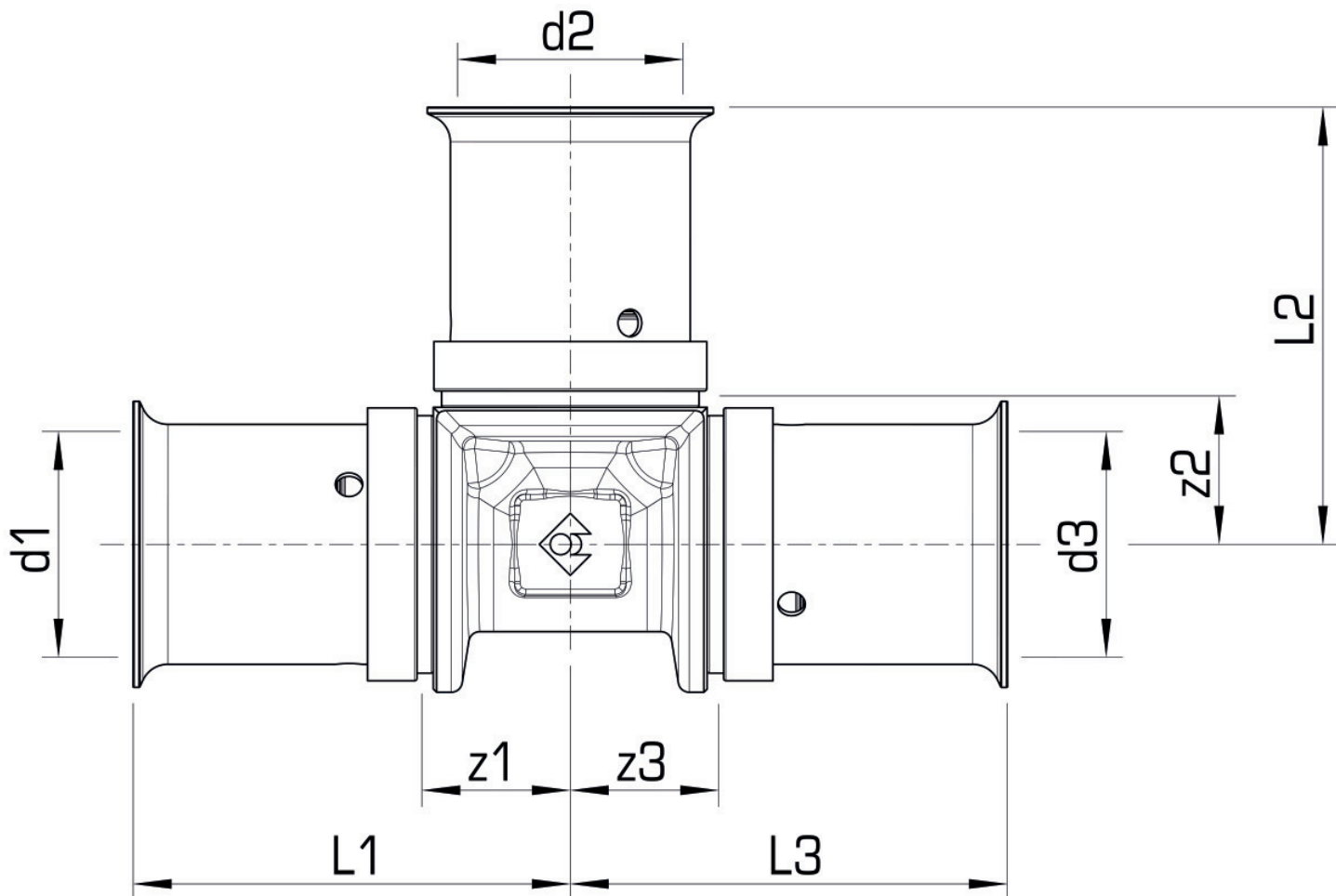
port 1	Pressing socket
port 2	Pressing socket
port 3	Pressing socket
execution	Tee piece
angle	90 °
press contour	U

## Technical properties

maximum working pressure at 20 ° C	16 bar
------------------------------------	--------

## Product information

VPE1	4,00 SA1
VPE2	40,00 KT1
weight	0,249 KGM
text	?KELOX-ULTRAX zeta tee piece
INTRNR	74122000
main material group	KELOX
material group	KELOX-ULTRAX metal fittings
code	KMU440Z



Art. No	label	d1 mm	d2 mm	d3 mm	L1 mm	L2 mm	L3 mm	z1 mm	z2 mm	z3 mm
71111EEE	25/25/25	25	25	25	49	51	49	18	18	18