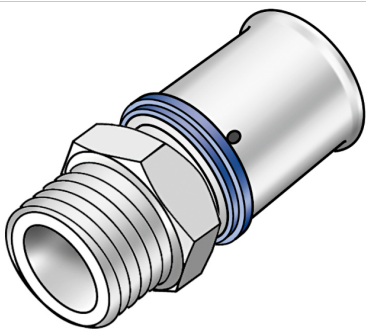


KELOX

KMU450 KELOX-ULTRAX adapter male 50x2"

71202H09

Areas of application



Press adapter with male thread for sealing, made of non-porous metallised brass, incl. support sleeves with O-rings and stainless steel press-fit sleeves, "leak before pressed"

Approvals:



Specifications

Article information

| | |
|---------------|----------------------------|
| port 1 | Pressing socket |
| port 2 | Male thread, conical (NPT) |
| execution | 1-part |
| design | Straight |
| press contour | U |

Technical properties

| | |
|------------------------------------|--------|
| maximum working pressure at 20 ° C | 10 bar |
|------------------------------------|--------|

Product information

| | |
|---------------------|-----------------------------|
| VPE1 | 1,00 SA1 |
| VPE2 | 20,00 KT1 |
| weight | 0,522 KGM |
| text | KELOX-ULTRAX adapter male |
| INTRNR | 74122000 |
| main material group | KELOX |
| material group | KELOX-ULTRAX metal fittings |
| code | KMU450 |



| Art. No | label | d2 Inches | d1 mm | L1 mm | L2 mm | z1 mm | z2 mm | slw1 mm | slw2 mm |
|----------|-------|--------------|-------|-------|-------|-------|-------|------------|------------|
| 71202H09 | 50x2" | 2" | 50 | 64 | 23,5 | 15 | 28 | 65 | 65 |