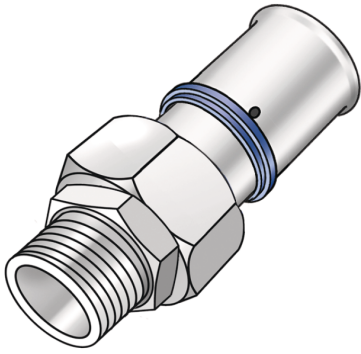


# KELOX

## KMU451 KELOX-ULTRAX union with male thread 20x3/4"

71241D04

### Areas of application



ULTRAX press-fit union with male thread made from stainless steel, thread as per ÖNORM EN 10226, for connecting to fittings made of non-porous metallised brass; incl. support sleeves with O-rings and stainless steel press-fit sleeves "leak before pressed", flat-sealing including seal

### Approvals:



# Specifications

## Article information

|               |                            |
|---------------|----------------------------|
| port 1        | Pressmuffe                 |
| port 2        | Außengewinde konisch (NPT) |
| execution     | 2-part                     |
| design        | Straight                   |
| press contour | U                          |

## Technical properties

|                                    |        |
|------------------------------------|--------|
| maximum working pressure at 20 ° C | 10 bar |
|------------------------------------|--------|

## Product information

|                     |                                     |
|---------------------|-------------------------------------|
| VPE1                | 10,00 SA1                           |
| VPE2                | 100,00 KT1                          |
| weight              | 0,144 KGM                           |
| text                | KELOX-ULTRAX union with male thread |
| INTRNR              | 74122000                            |
| main material group | KELOX                               |
| material group      | KELOX-ULTRAX metal fittings         |
| code                | KMU451                              |



| Art. No  | label   | d2<br>Inches | d1 mm | L1 mm | L2 mm | z1 mm | z2 mm | slw1<br>mm | slw2<br>mm |
|----------|---------|--------------|-------|-------|-------|-------|-------|------------|------------|
| 71241D04 | 20x3/4" | 3/4" (20)    | 20    | 42    | 17    | 17,5  | 34    | 30         | 32         |