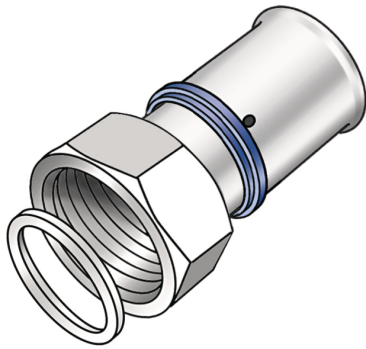


KELOX

KMU455 KELOX-ULTRAX union with female thread 16x1/2"

71203B02

Areas of application



?Press-fit union with female thread for connection to fittings and devices such as filters, manifolds, pumps,..... made of non-porous metallised brass, incl. support sleeves with O-rings and stainless steel pressing sleeves, "leak before pressed", flat-sealing including seal

Approvals:



Specifications

Article information

| | |
|---------------|-----------------|
| port 1 | Pressing socket |
| port 2 | Union nut |
| execution | 2-part |
| design | Straight |
| press contour | U |

Technical properties

| | |
|------------------------------------|--------|
| maximum working pressure at 20 ° C | 10 bar |
|------------------------------------|--------|

Product information

| | |
|---------------------|---------------------------------------|
| VPE1 | 10,00 SA1 |
| VPE2 | 200,00 KT1 |
| weight | 0,058 KGM |
| text | KELOX-ULTRAX union with female thread |
| INTRNR | 74122000 |
| main material group | KELOX |
| material group | KELOX-ULTRAX metal fittings |
| code | KMU455 |



| Art. No | label | d2 Inches | d1 mm | L1 mm | L2 mm | z1 mm | slw2 mm |
|----------|---------|-----------|-------|-------|-------|-------|---------|
| 71203B02 | 16x1/2" | 1/2" (15) | 16 | 38,5 | 8,5 | 16 | 24 |